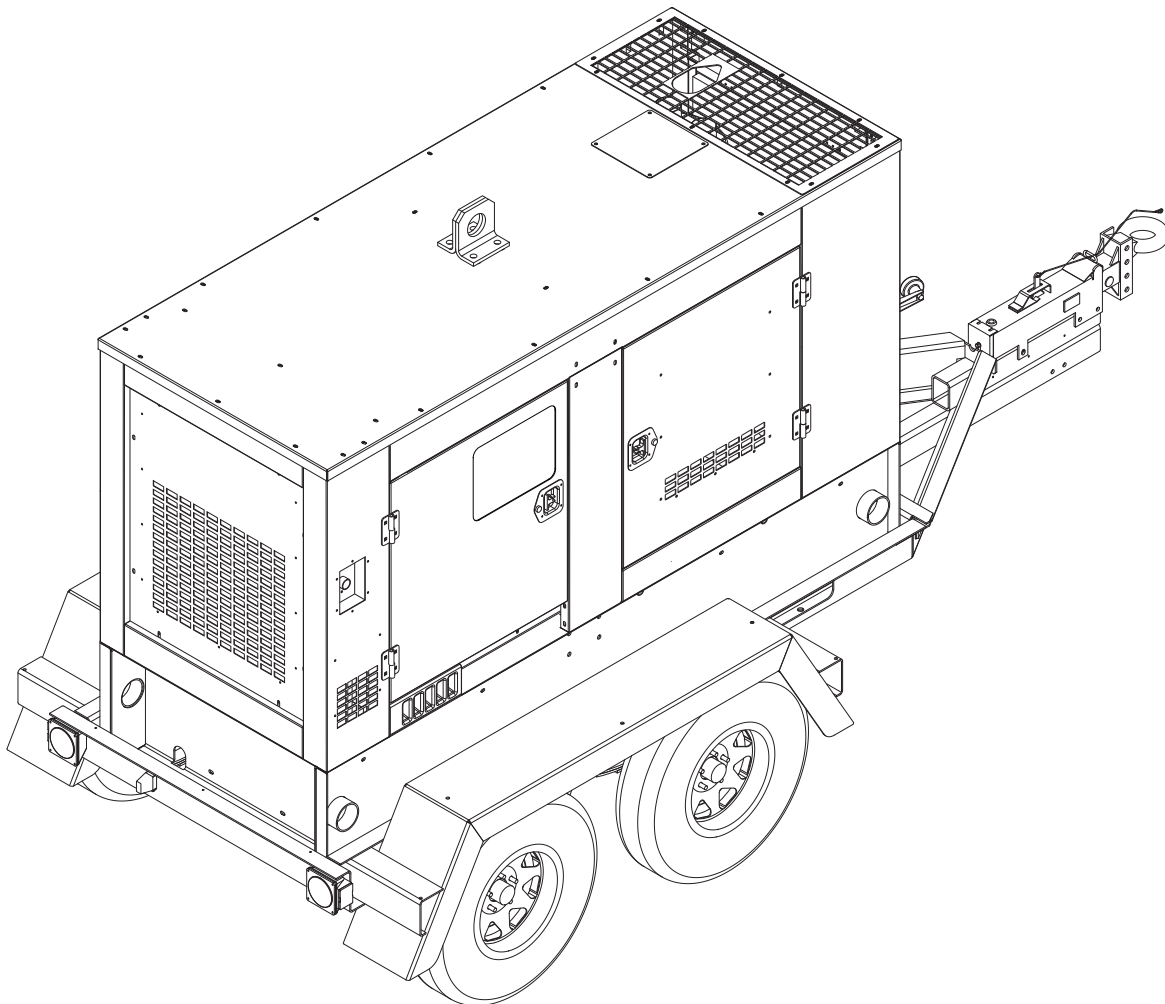


GENERAC®

**MOBILE
PRODUCTS**

**DIESEL GENERATOR
MMG150D • MMG150DCAN
MMG150DCAN6 (V-FLEX)**



PARTS MANUAL

INTRODUCTION

Before servicing this machine, make sure the engine start switch is turned to “OFF /O in., the circuit breakers are open (“OFF/O in.), the emergency stop switch is closed (pushed in), and the negative (-) terminal on battery is disconnected. Attach a “DO NOT START in. sign to the control panel. This will notify everyone that the unit is being serviced and will reduce the chance of someone inadvertently trying to start the unit. If the unit is connected to a remote start or transfer switch, make sure the remote switch is also off and tagged.

▲ WARNING

Before operating or servicing this equipment, read and understand the Generac Operating Manual which was included with the unit when shipped from the factory. Failure to do so increases the risk of injury to yourself or others.

**Generac Mobile Products LLC
215 Power Drive • Berlin, WI 54923
U.S.A.
Phone: 920-361-4442
FAX: 920-361-4416
Toll Free: 1-800-926-9768
www.generacmobile.com**

For technical or parts QUESTIONS, please contact Generac Mobile Products Customer Support or Technical Support team at 1-800-926-9768. Please have your serial number available.

To ORDER SERVICE PARTS, please contact the dealer from which you purchased the unit, or call Generac Mobile Products to locate a dealer in your area.

Engine Make: _____
Engine Serial Number: _____
Engine Model Number: _____
Generator Make: _____
Generator Model Number: _____
Generator Serial Number: _____
Unit Model Number: _____
Unit Serial Number: _____

▲ WARNING

**CALIFORNIA PROPOSITION 65 WARNING:
Diesel engine exhaust and some of its constituents are known to the state of California to cause cancer, birth defects and other reproductive harm.**

▲ WARNING

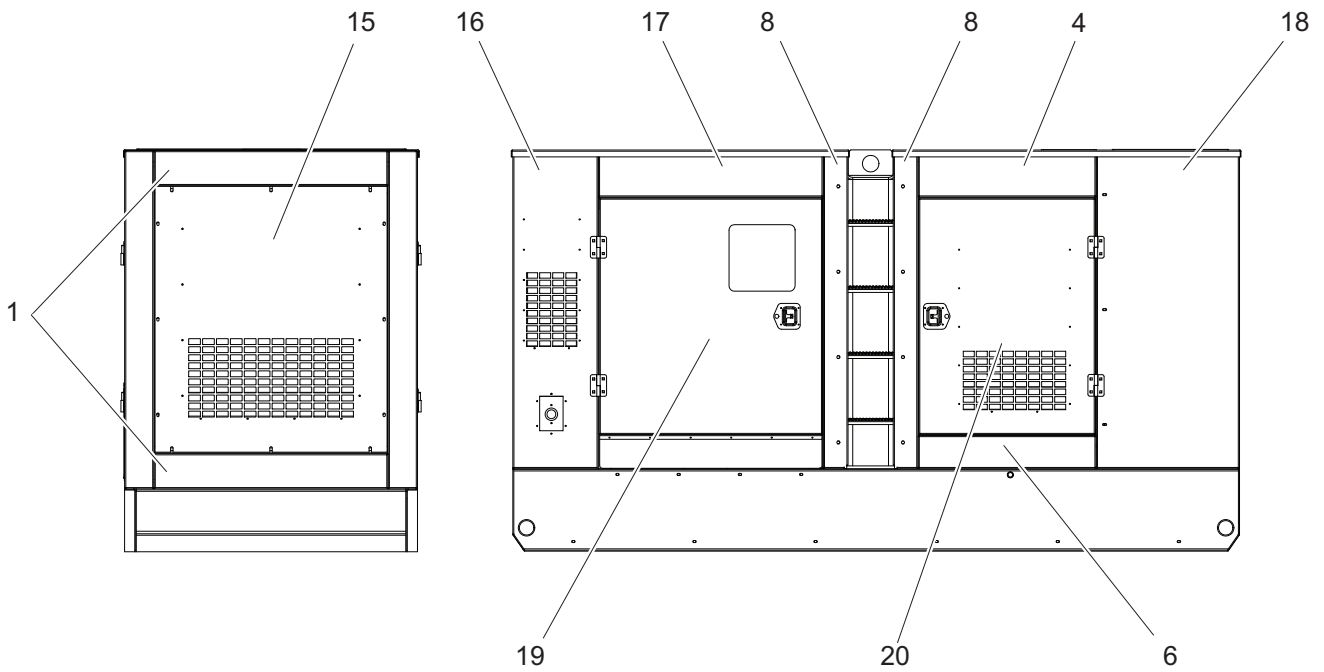
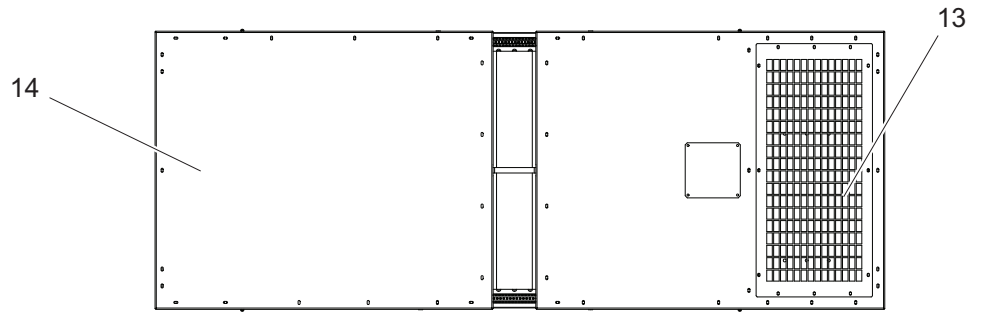
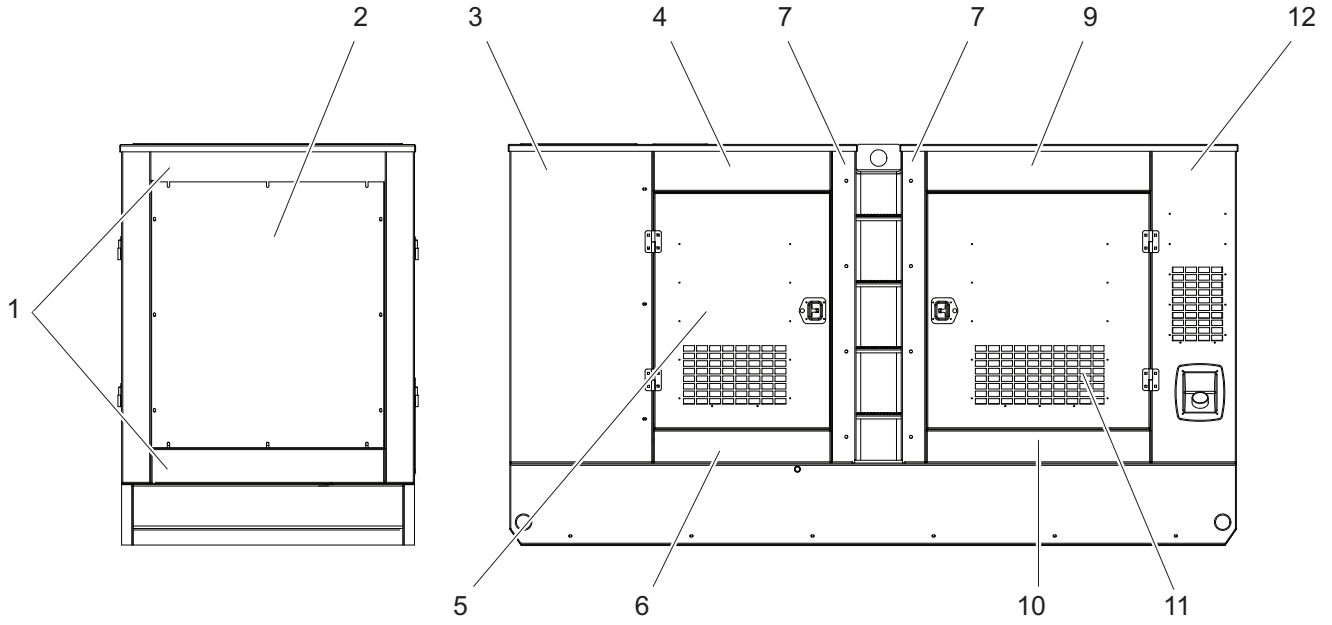
**CALIFORNIA PROPOSITION 65 WARNING:
This product contains or emits chemicals known to the state of California to cause cancer, birth defects, and other reproductive harm.**

TABLE OF CONTENTS

INTRODUCTION	2
ENCLOSURE PANELS	6
UNIT DECALS - LEFT SIDE - MMG150D	8
UNIT DECALS - RIGHT SIDE - MMG150D	9
UNIT DECALS - LEFT SIDE - MMG150DCAN, MMG150DCAN6	10
UNIT DECALS - RIGHT SIDE - MMG150DCAN, MMG150DCAN6	11
LEFT FRONT DOOR ASSEMBLY	12
LEFT REAR DOOR ASSEMBLY	14
RIGHT FRONT DOOR ASSEMBLY	16
CONTROL DOOR ASSEMBLY	18
FRONT ROOF PANEL ASSEMBLY	20
REAR ROOF PANEL ASSEMBLY	22
FRONT PANEL ASSEMBLY	24
REAR PANEL ASSEMBLY	26
LEFT SIDE CENTER PANEL ASSEMBLY	28
RIGHT SIDE CENTER PANEL ASSEMBLY	30
END AND LOWER SIDE PANEL ASSEMBLY	32
UPPER SIDE PANEL ASSEMBLY	34
LEFT REAR CORNER ASSEMBLY	36
RIGHT REAR CORNER ASSEMBLY	38
LEFT FRONT CORNER ASSEMBLY	40
RIGHT FRONT CORNER ASSEMBLY	42
CONTROL BOX ASSEMBLY - MMG150D, MMG150DCAN	44
CONTROL BOX ASSEMBLY - MMG150DCAN6	46
LEFT CONTROL PANEL ASSEMBLY	48
RIGHT CONTROL PANEL ASSEMBLY	50
LUG BOX ASSEMBLY	52
LUG PLATE ASSEMBLY	54
LUG BOX DOOR ASSEMBLY	56
OUTLET PANEL ASSEMBLY - MMG150D	58
OUTLET PANEL ASSEMBLY - MMG150DCAN, MMG150DCAN6	60
OUTLET PANEL ASSEMBLY FOR CAM LOCK OPTIONS	62
CAM LOCK PANEL ASSEMBLY OPTIONS	64
CAM LOCK DOOR ASSEMBLY OPTION	66
EXHAUST SYSTEM ASSEMBLY	68
COOLING SYSTEM ASSEMBLY	70
COOLING SYSTEM HOSES	72
ENGINE AND GENERATOR TO SKID ASSEMBLY	74
ENGINE ASSEMBLY	76
ENGINE MOUNT ASSEMBLY	78
OIL VAPOR RECIRCULATION SYSTEM ASSEMBLY	80
CLUTCHED FAN ASSEMBLY - MMG150DCAN, MMG150DCAN6	82
HOTSTART ASSEMBLY - MMG150DCAN, MMG150DCAN6	84
GENERATOR ASSEMBLY - MMG150D, MMG150DCAN	86
GENERATOR ASSEMBLY - MMG150DCAN6	88
GENERATOR BOX ASSEMBLY - STD GEN, 3 POSITION - MMG150D, MMG150DCAN	90
GENERATOR BOX ASSEMBLY - STD GEN, 3 POSITION - MMG150DCAN6	92
GENERATOR BOX ASSEMBLY - STD GEN, 4 POSITION - MMG150D, MMG150DCAN	94
GENERATOR BOX ASSEMBLY - SS GEN, 3 POSITION - MMG150D, MMG150DCAN	96
GENERATOR BOX ASSEMBLY - SS GEN, 4 POSITION - MMG150D, MMG150DCAN	98
FUEL TANK AND SKID ASSEMBLY	100
FUEL TANK ASSEMBLY - MMG15D	102
FUEL TANK ASSEMBLY - MMG150DCAN, MMG150DCAN6	104
TRAILER ASSEMBLY	106
AXLE ASSEMBLY	108
TRAILER BRAKE LINES	110
TAILER HITCH OPTIONS	112

This Page Intentionally Left Blank

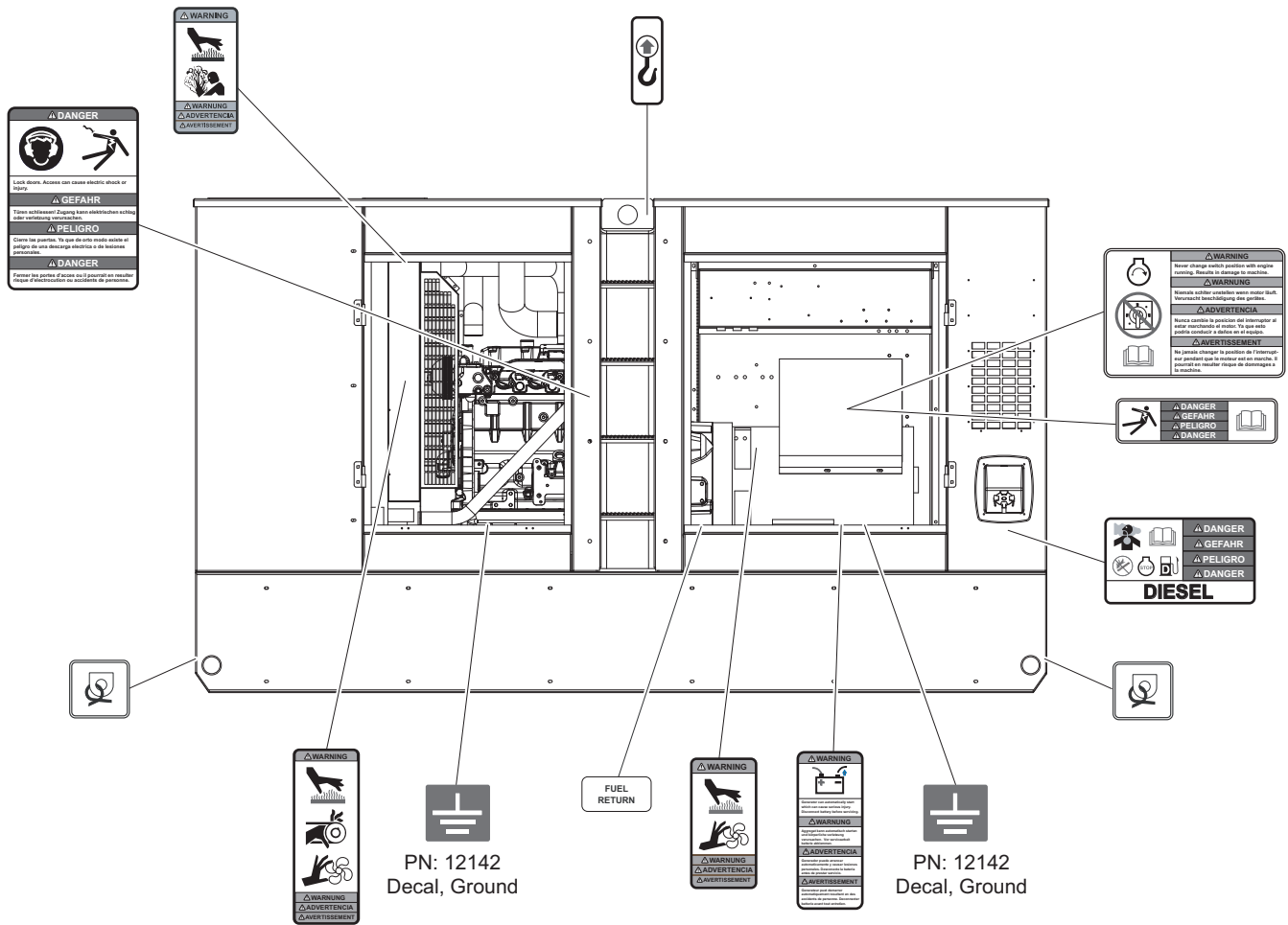
ENCLOSURE PANELS



ENCLOSURE PANELS

ITEM	PART NO.	QTY	DESCRIPTION	NOTES
1	<i>Page 32</i>	4	End panel assembly	
2	<i>Page 24</i>	1	Front panel assembly	
3	<i>Page 40</i>	1	Left front corner assembly	
4	<i>Page 34</i>	2	Upper side panel assembly	
5	<i>Page 12</i>	1	Left front door assembly	
6	<i>Page 32</i>	2	Lower side panel assembly	
7	<i>Page 28</i>	1	Left side center panel assembly	
8	<i>Page 30</i>	1	Right side center panel assembly	
9	<i>Page 34</i>	1	Upper side panel assembly	
10	<i>Page 32</i>	1	Lower side panel assembly	
11	<i>Page 14</i>	1	Left rear door assembly	
12	<i>Page 36</i>	1	Left rear corner assembly	
13	<i>Page 20</i>	1	Front roof panel assembly	
14	<i>Page 22</i>	1	Rear roof panel assembly	
15	<i>Page 26</i>	1	Rear panel assembly	
16	<i>Page 38</i>	1	Right rear corner assembly	
17	<i>Page 34</i>	1	Upper side panel assembly	
18	<i>Page 42</i>	1	Right front corner assembly	
19	<i>Page 18</i>	1	Control door assembly	
20	<i>Page 16</i>	1	Right front door assembly	

UNIT DECALS - LEFT SIDE - MMG150D



CAUTION
Before transporting unit
turn OFF both (2) Fuel Port
Shutoff Valves per UN31A.

CAUTION
OPEN VALVE
BEFORE
FUELING!

PN: 30175
 Decal, UN31A Tank Caution
 (Optional)

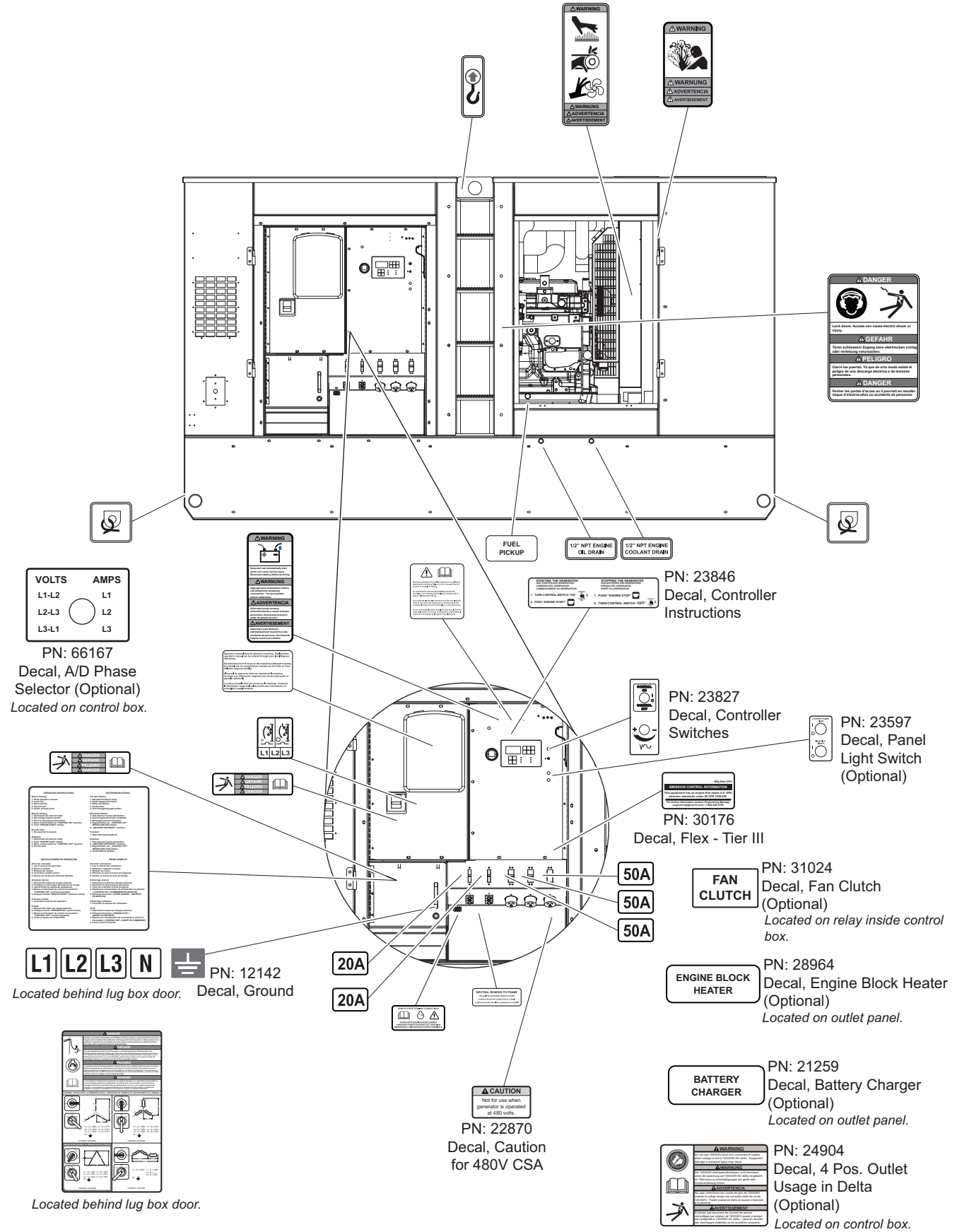
Located on fuel tank.

TOWING INSTRUCTIONS	ABSCHLEPPINSTRUKTIONEN	INSTRUCCIONES DE REMOLQUE	INSTRUCTIONS DE REMORQUAGE
1. Read operator's manual. 2. Use hitch rated for trailer's "gross vehicle weight rating". 3. Securely attach trailer to tow vehicle. 4. Attach safety chains using a cross pattern. 5. Attach breakdown chain to vehicle. 6. Check trailer lights.	1. Betriebsvorschrift lesen. 2. Anhängerverteilung verwenden, die der Gesamtbetriebsgewichtsklasse entspricht. 3. Anhänger sicher am Zugfahrzeug befestigen. 4. Sicherheitsketten kreuzweise anbringen. 5. Anfahrkette am Fahrzeug anbringen. 6. Anhängerleuchten prüfen.	1. Lea el manual del operario. 2. Utilice un accesorio correctamente clasificado para la "clase de peso bruto" del vehículo de remolque. 3. Asegúrese de acoplar correctamente el remolque al vehículo de remolque. 4. Fije en cruz las cadenas de seguridad. 5. Fije en el vehículo de remolque la cadena de desprendimiento. 6. Controle las luces del remolque.	1. Lire la notice d'emploi. 2. Utiliser un crochet d'attelage conforme au débit nominal du poids brut de véhicule du véhicule tracteur. 3. Attacher la remorque fermement au véhicule tracteur. 4. Attacher les chaînes de sureté en utilisant une méthode croisée. 5. Attacher la chaîne de remorque au véhicule. 6. Vérifier les lampes de la remorque.

Located on tongue of trailered units.

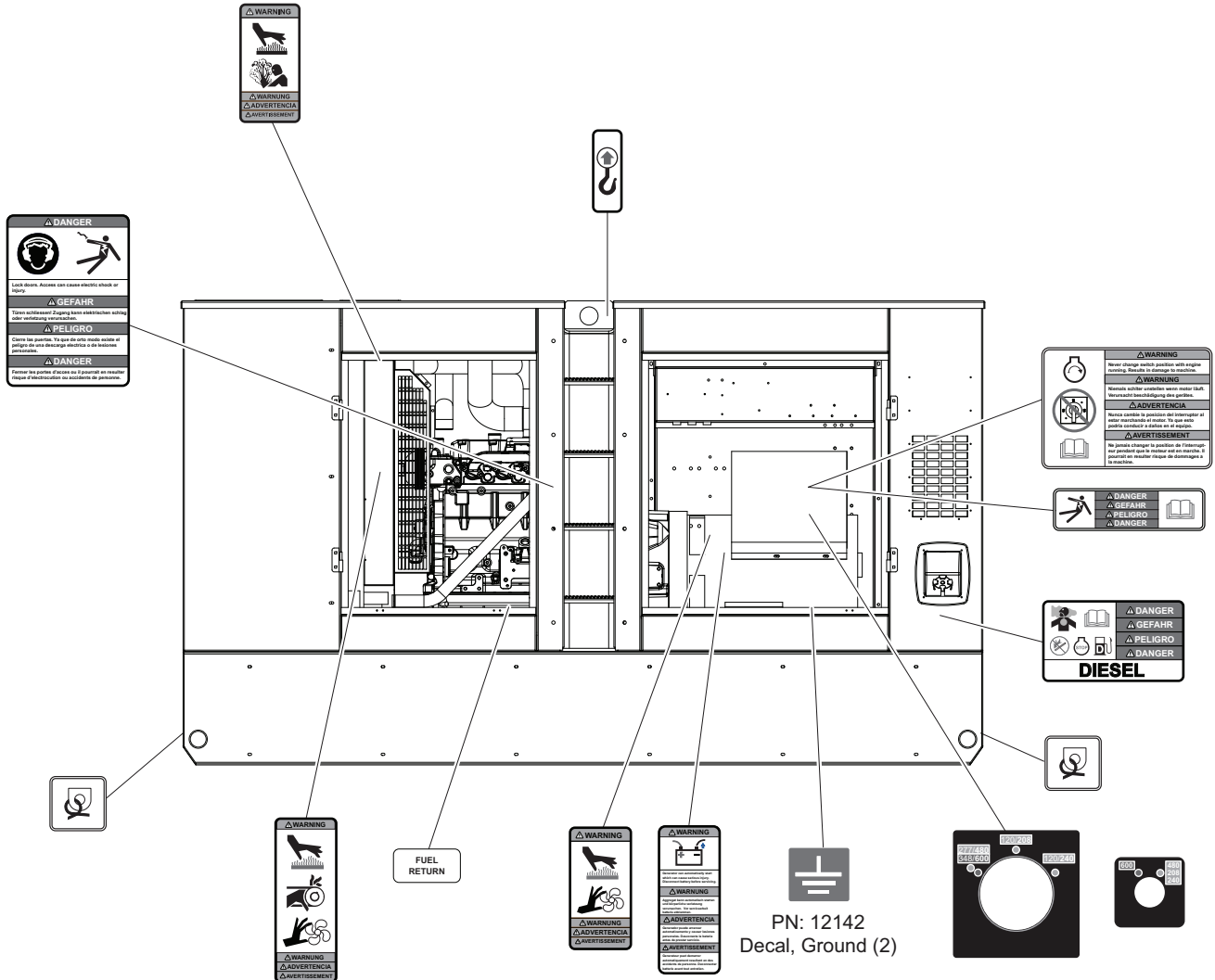
Note: All safety and operating decals are located on decal sheet 23599, unless otherwise noted.

UNIT DECALS - RIGHT SIDE - MMG150D



Note: All safety and operating decals are located on decal sheet 23599, unless otherwise noted.

UNIT DECALS - LEFT SIDE - MMG150DCAN, MMG150DCAN6



TOWING INSTRUCTIONS	ABSCHLEPPINSTRUKTIONEN	INSTRUCCIONES DE REMOLQUE	INSTRUCTIONS DE REMORQUAGE
<ol style="list-style-type: none"> Read operator's manual. Use hitch rated for trailer's "gross vehicle weight rating". Securely attach trailer to tow vehicle. Attach safety chains using a cross pattern. Attach breakaway chain to vehicle. Check trailer lights. 	<ol style="list-style-type: none"> Betriebsvorschrift lesen. Anhänger vorrichtung verwenden, die der gesamtbauartgewichtsklasse entspricht. Anhänger sicher am zugfahrzeug befestigen. Sicherheitsketten kreuzweise anbringen. Abreißkette am fahrzeug anbringen. Anhängerlichter prüfen. 	<ol style="list-style-type: none"> Lea el manual del operador. Utilice un acople correctamente clasificado para la "clase de peso bruto" del vehículo de remolque. Asegúrese de acoplar correctamente el remolque al vehículo de remolque. Fije en cruz las cadenas de seguridad. Fije en el vehículo de remolque la cadena de desprendimiento. Controle las luces del remolque. 	<ol style="list-style-type: none"> Lire le notice d'emploi. Utiliser un crochet d'attelage conforme au débit nominal du poids brut du véhicule du véhicule tracteur. Attacher la remorque fermement au véhicule tracteur. Attacher les chaînes de sureté en utilisant une méthode croisée. Attacher la chaîne de remorquage au véhicule. Vérifier les lampes de la remorque.

Located on tongue of trailered units.

Voltage Selections			Main Voltage Selector Switch	80V Selector Switch
L/N	L/L	Configuration		
348	600	3 φ		
277	480	3 φ		
120	208	3 φ		
120	240	1 φ		

PN: 34273
Decal, Terminal Connections - 600V (MMG150DCAN6 Only)

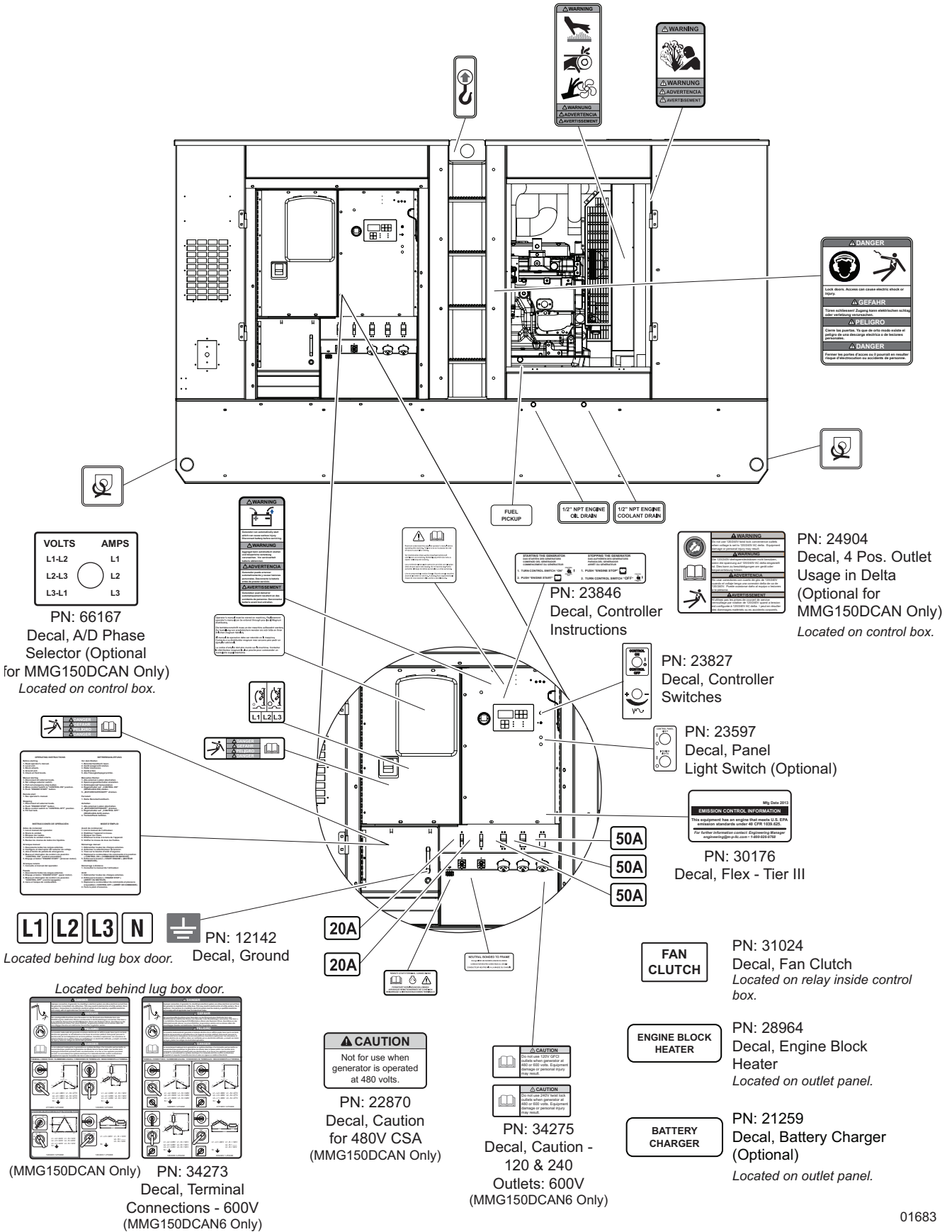
CAUTION
Before transporting unit turn OFF both (2) Fuel Port Shutoff Valves per UN31A.

CAUTION
OPEN VALVE BEFORE FUELING!

PN: 30175
Decal, UN31A Tank Caution
Located on fuel tank.

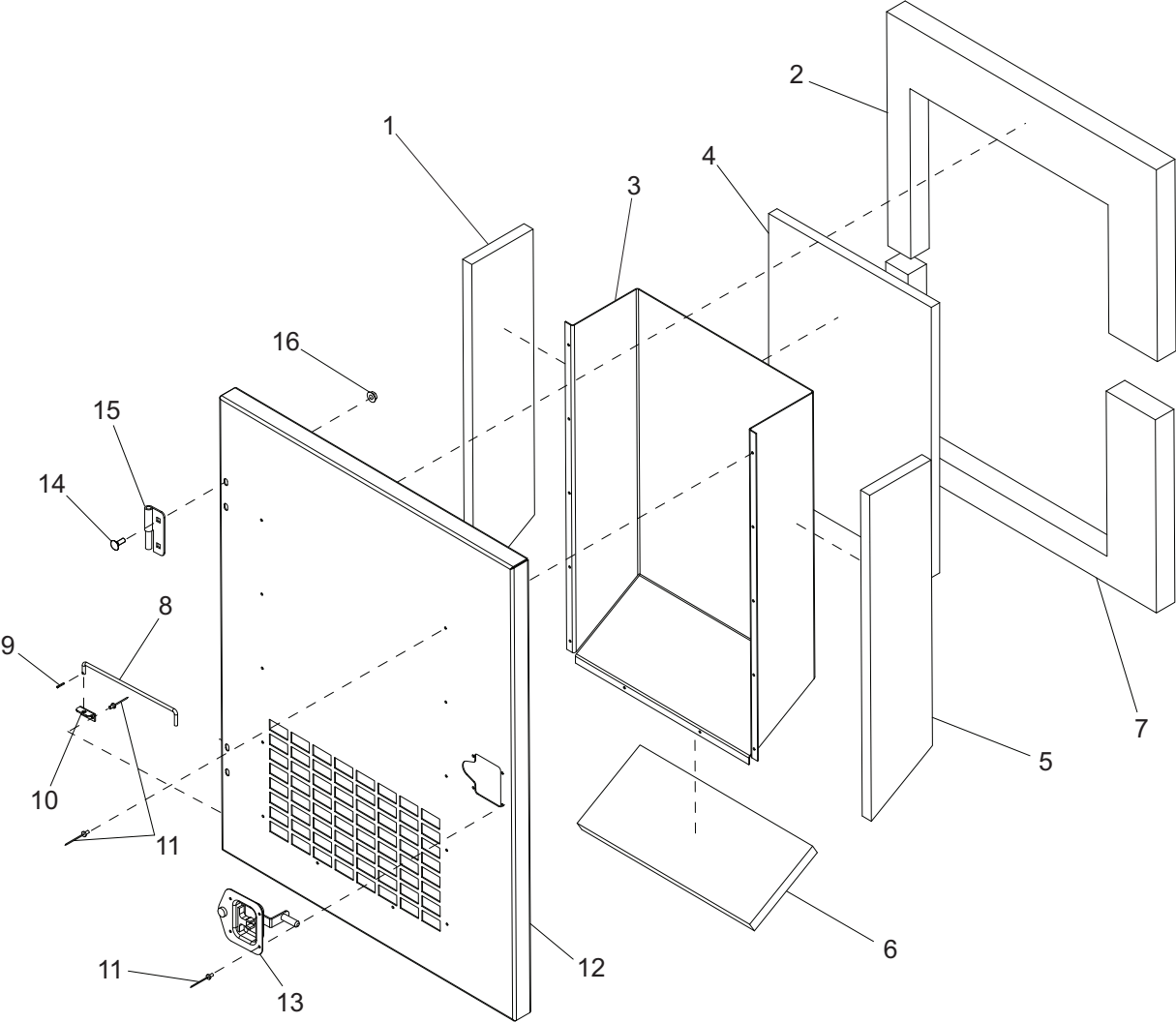
Note: All safety and operating decals are located on decal sheet 23599, unless otherwise noted.

UNIT DECALS - RIGHT SIDE - MMG150DCAN, MMG150DCAN6



Note: All safety and operating decals are located on decal sheet 23599, unless otherwise noted.

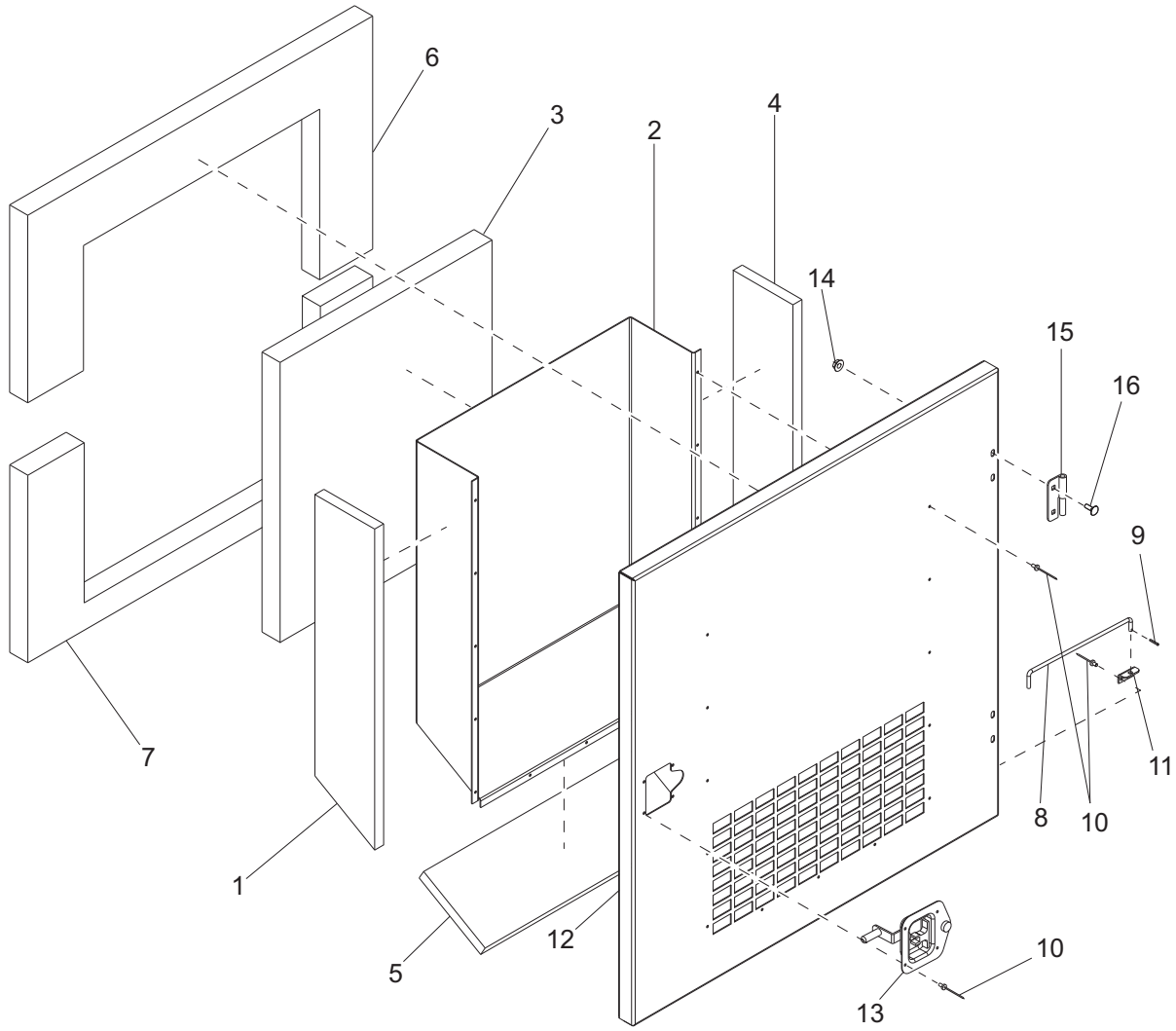
LEFT FRONT DOOR ASSEMBLY



LEFT FRONT DOOR ASSEMBLY

ITEM	PART NO.	QTY	DESCRIPTION	NOTES
1	22486	1	Foam, small duct - right	
2	22193	1	Foam, front left door upper	
3	26089W	1	Duct, front door	
4	22487	1	Foam, front duct face - left	
5	22485	1	Foam, door duct - left	
6	22488	1	Foam, small duct - lower	
7	22194	1	Foam, front left door - lower	
8	18900ZC	1	Rod, door prop	
9	60048	1	Pin, roll .125 x .625	
10	20916Z	1	Bracket, prop rod	
11	60268	18	Rivet, .188 dia x .126 to .250 grip, SS	
12	22160W	1	Door, front left	
13	22498	1	Latch, T-handle right - ccw	
14	61066	4	Screw, .312-18 x 1.0 carr sqr, SS	
15	18459	2	Hinge, left (male)	
16	60095	4	Nut, .312-18 sflg	
--	26090	1	Assembly, front left door	Items 1-16

LEFT REAR DOOR ASSEMBLY

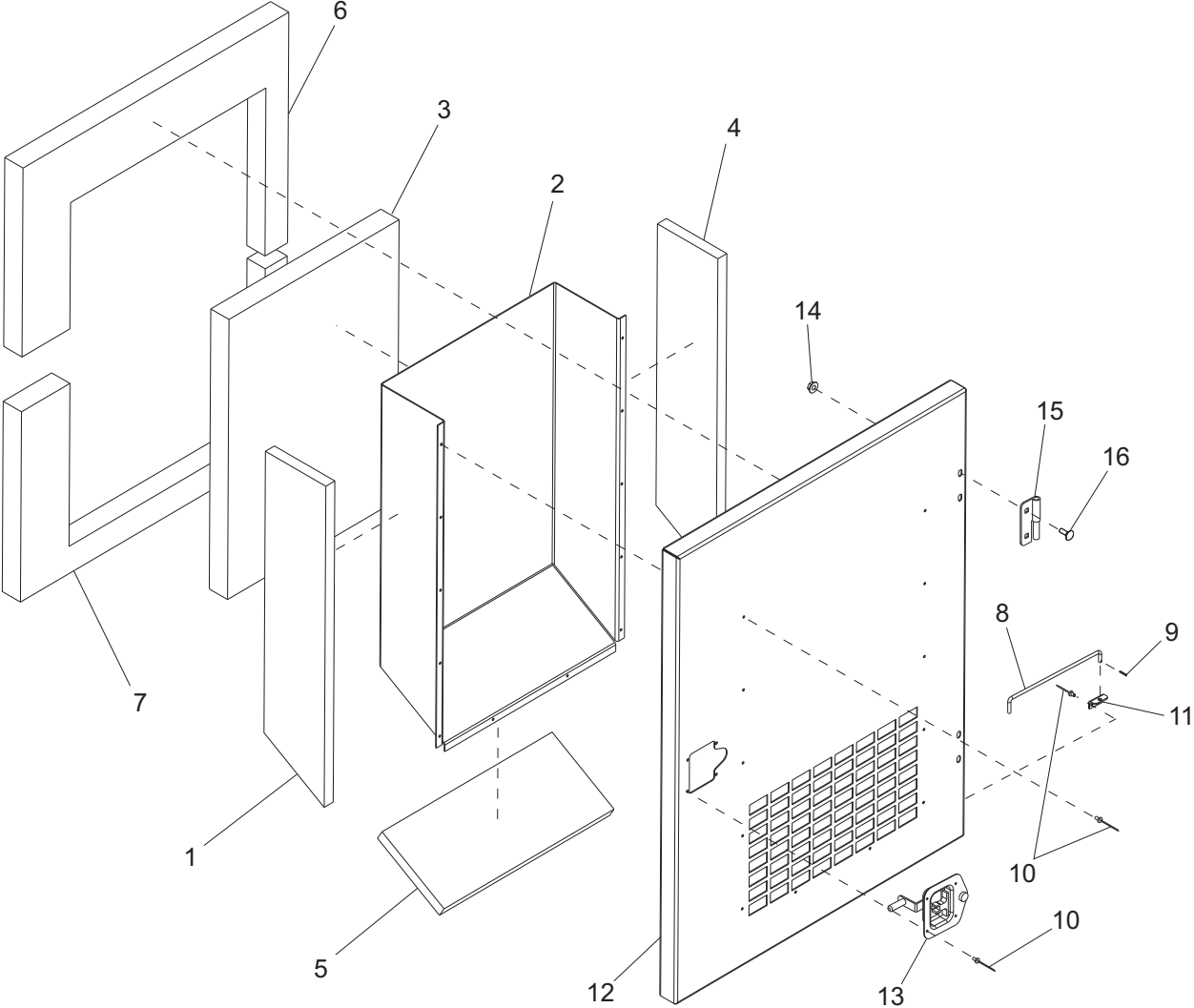


01677

LEFT REAR DOOR ASSEMBLY

ITEM	PART NO.	QTY	DESCRIPTION	NOTES
1	22189	1	Foam, small duct right	
2	22169W	1	Duct, rear door	
3	22585	1	Foam, rear left duct face	
4	22190	1	Foam, door duct left	
5	22198	1	Foam, rear left duct lower	
6	22195	1	Foam, rear left door upper	
7	22196	1	Foam, rear left door lower	
8	18900ZC	1	Rod, door prop	
9	60048	1	Roll pin, .125 x .625	
10	60268	19	Rivet, .188 dia x .126 to .250 grip, SS	
11	20916Z	1	Bracket, prop rod	
12	22161W	1	Door, rear left	
13	22497	1	Latch, T-handle - left cw lock	
14	60095	4	Nut, .312-18 sflg	
15	18461	2	Hinge, right (male)	
16	61066	4	Screw, .312-18 x 1.0 carr sqr, SS	
--	22166	1	Assembly, rear left door	Items 1-16

RIGHT FRONT DOOR ASSEMBLY

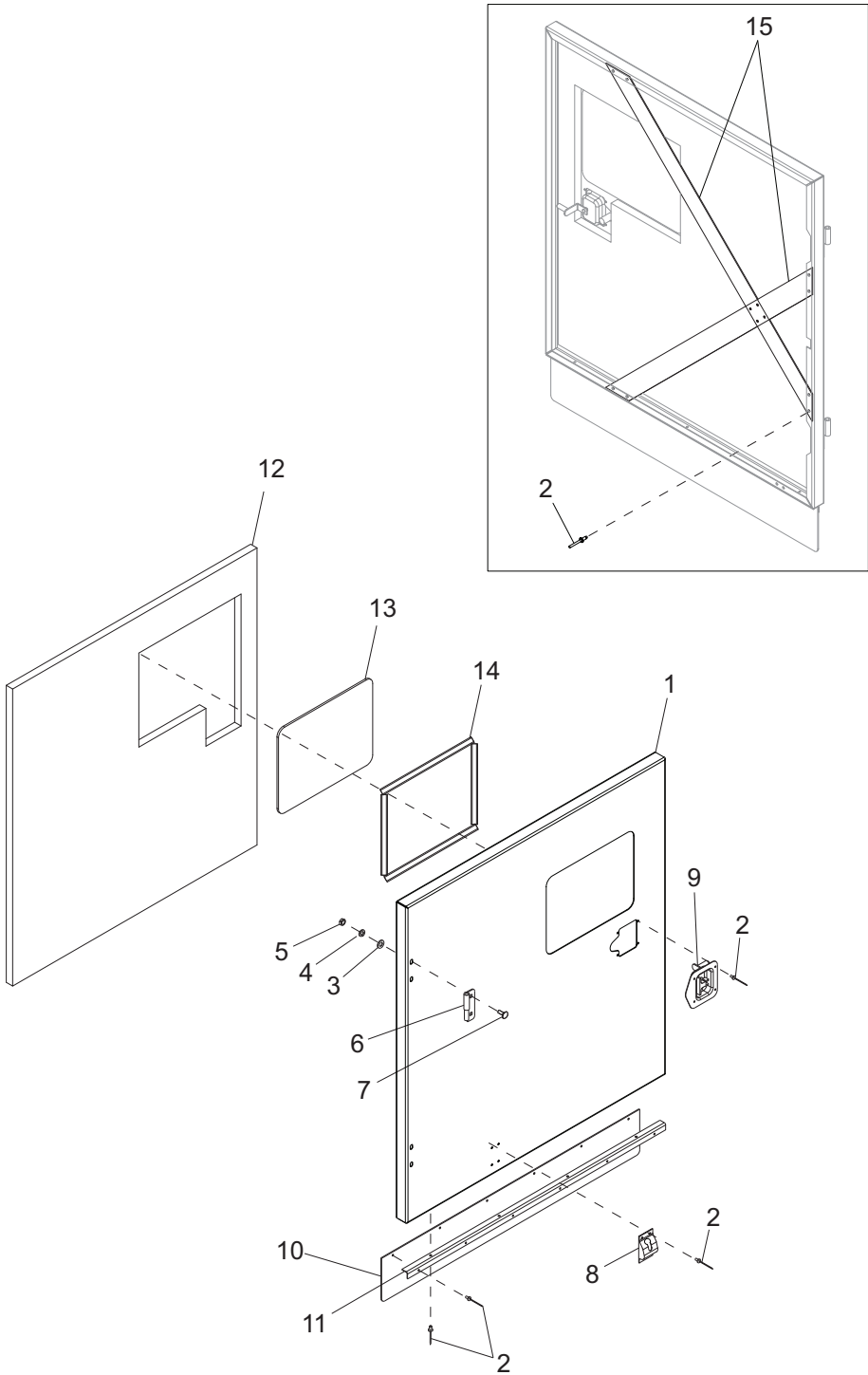


01678

RIGHT FRONT DOOR ASSEMBLY

ITEM	PART NO.	QTY	DESCRIPTION	NOTES
1	22486	1	Foam, small duct rht	
2	22484W	1	Duct, front door	
3	22487	1	Foam, front duct face - left	
4	22485	1	Foam, door duct left	
5	22488	1	Foam, small duct lower	
6	22191	1	Foam, front right door upper	
7	22192	1	Foam, front right door lower	
8	18900ZC	1	Rod, door prop	
9	60048	1	Pin, roll .125 x .625	
10	60268	18	Rivet, .188 dia x .126 to .250 grip, SS	
11	20916Z	1	Bracket, prop rod	
12	22159W	1	Door, front right	
13	22497	1	Latch, T-handle - left cw lock	
14	60095	4	Nut, .312-18 sflg	
15	18461	2	Hinge, right (male)	
16	61066	4	Screw, .312-18 x 1.0 carr sqr, SS	
--	24997	1	Assembly, front right door	Items 1-16

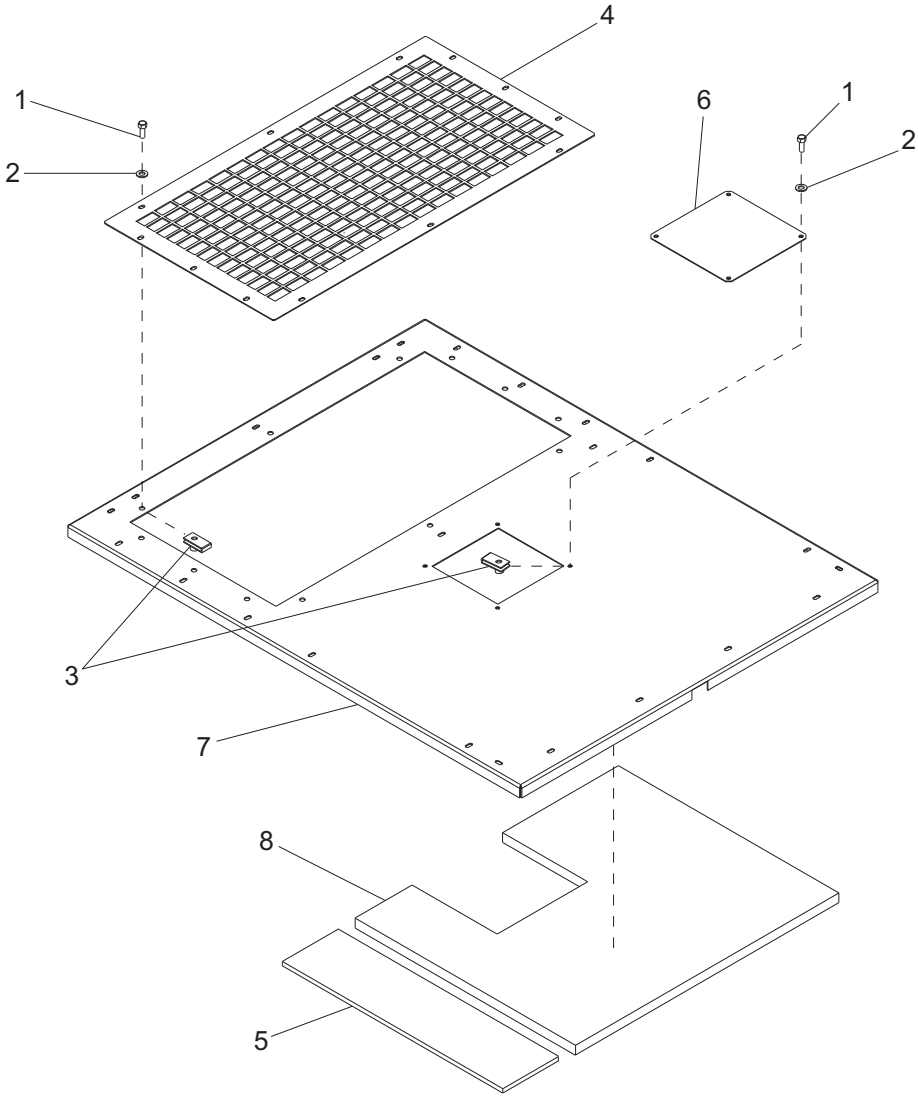
CONTROL DOOR ASSEMBLY



CONTROL DOOR ASSEMBLY

ITEM	PART NO.	QTY	DESCRIPTION	NOTES
1	29907W	1	Door, control	
2	60268	30	Rivet, .188 dia x .126 to .250 grip, SS	
3	60243	4	Washer, .250 flat .735/.060	
4	60271	4	Washer, .312 split lock	
5	60285	4	Nut, .312-18 hex, G5	
6	18459	2	Hinge, left (male)	
7	61066	4	Screw, .312-18 x 1.0 carr sqr, SS	
8	62225	1	Latch, door - stainless cable w/ball	
9	22497	1	Latch, T-handle left cw lock	
10	22171	1	Flap, control door	
11	22170B	1	Bracket, door flap	
12	27542	1	Foam, panel - control door	
13	21477	1	Window, control door	
14	50192	4.58 ft	Tape, .500 in. double sided type VHB	
15	22278B	2	Brace, control door - black	
--	29037	1	Assembly, control door	Items 1-14

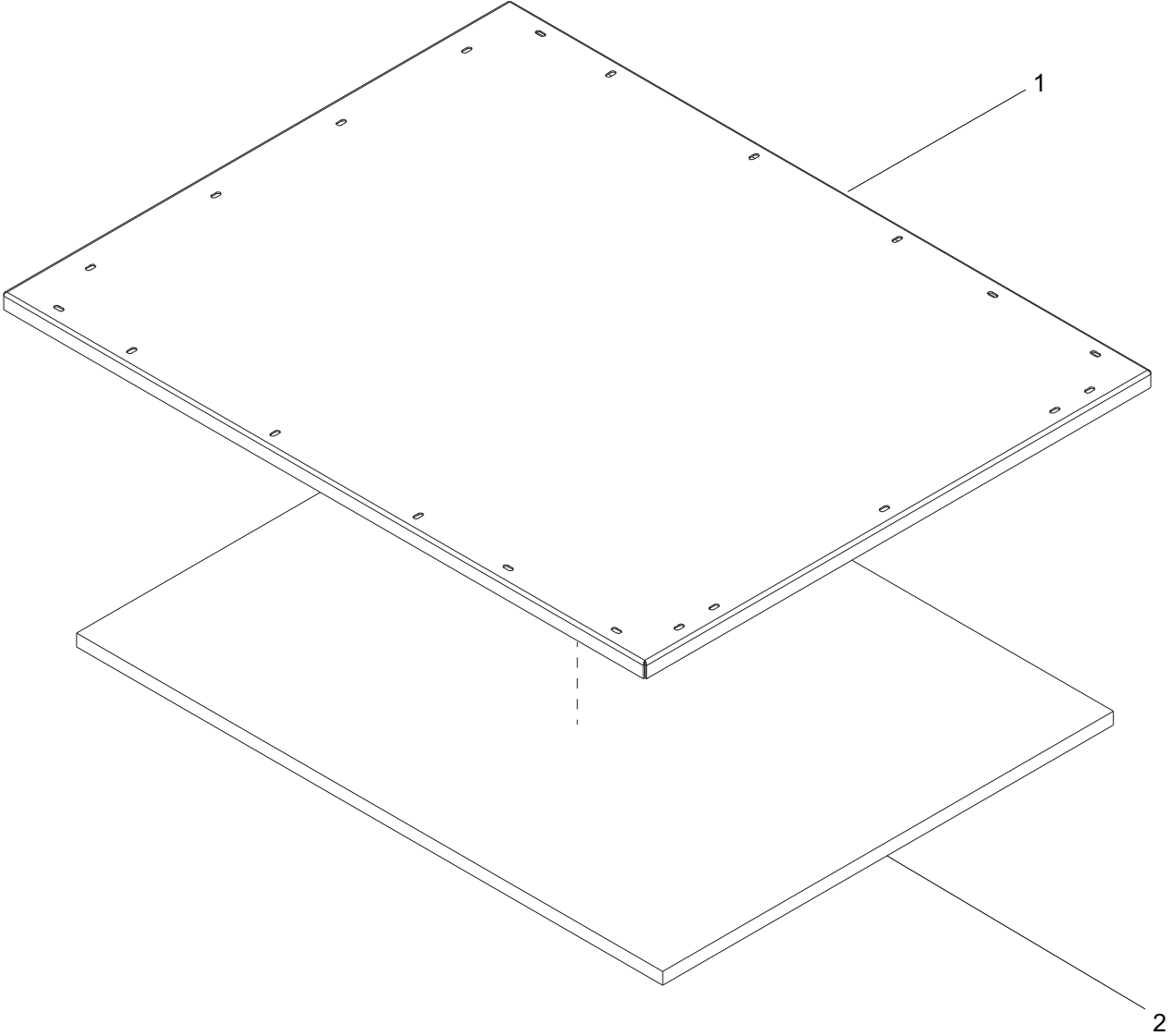
FRONT ROOF PANEL ASSEMBLY



FRONT ROOF PANEL ASSEMBLY

ITEM	PART NO.	QTY	DESCRIPTION	NOTES
1	60168	12	Screw, .312-18 x .750 std hex, SS	
2	60452	12	Washer, .313 flat 1.125/1.0 bnnd rbbr, SS	
3	60505	12	Nut, .312-18 U-clip - long type	
4	22175W	1	Panel, roof insert	
5	23982	1	Insulation, ceramic roof	
6	25053W	1	Panel, access	
7	22068W	1	Panel, roof front	
8	22174	1	Foam, roof front	
--	22091	1	Assembly, front roof	Items 1-8

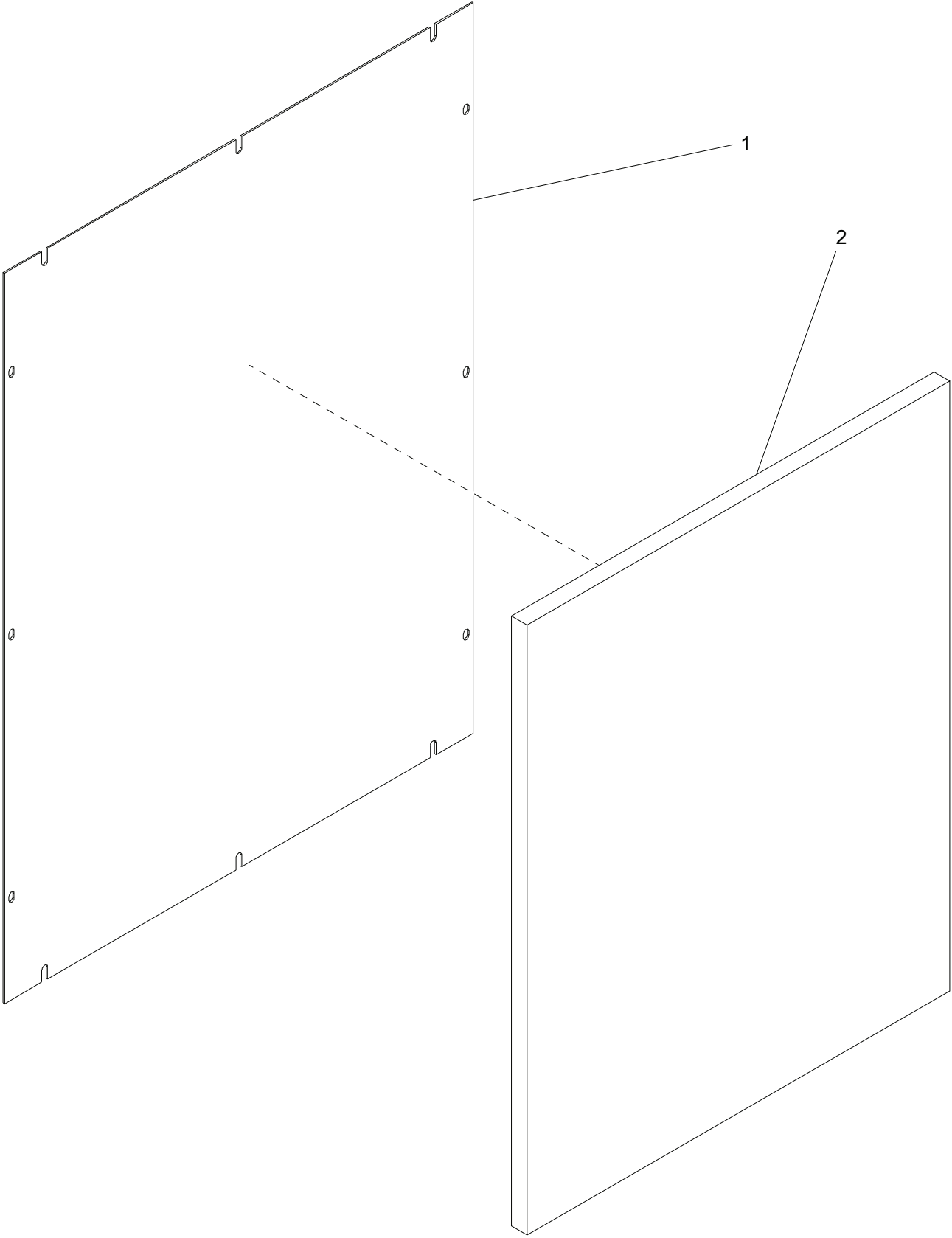
REAR ROOF PANEL ASSEMBLY



REAR ROOF PANEL ASSEMBLY

ITEM	PART NO.	QTY	DESCRIPTION	NOTES
1	22067W	1	Panel, roof rear	
2	22173	1	Foam, rear roof panel	
--	22090	1	Assembly, rear roof	Items 1-2

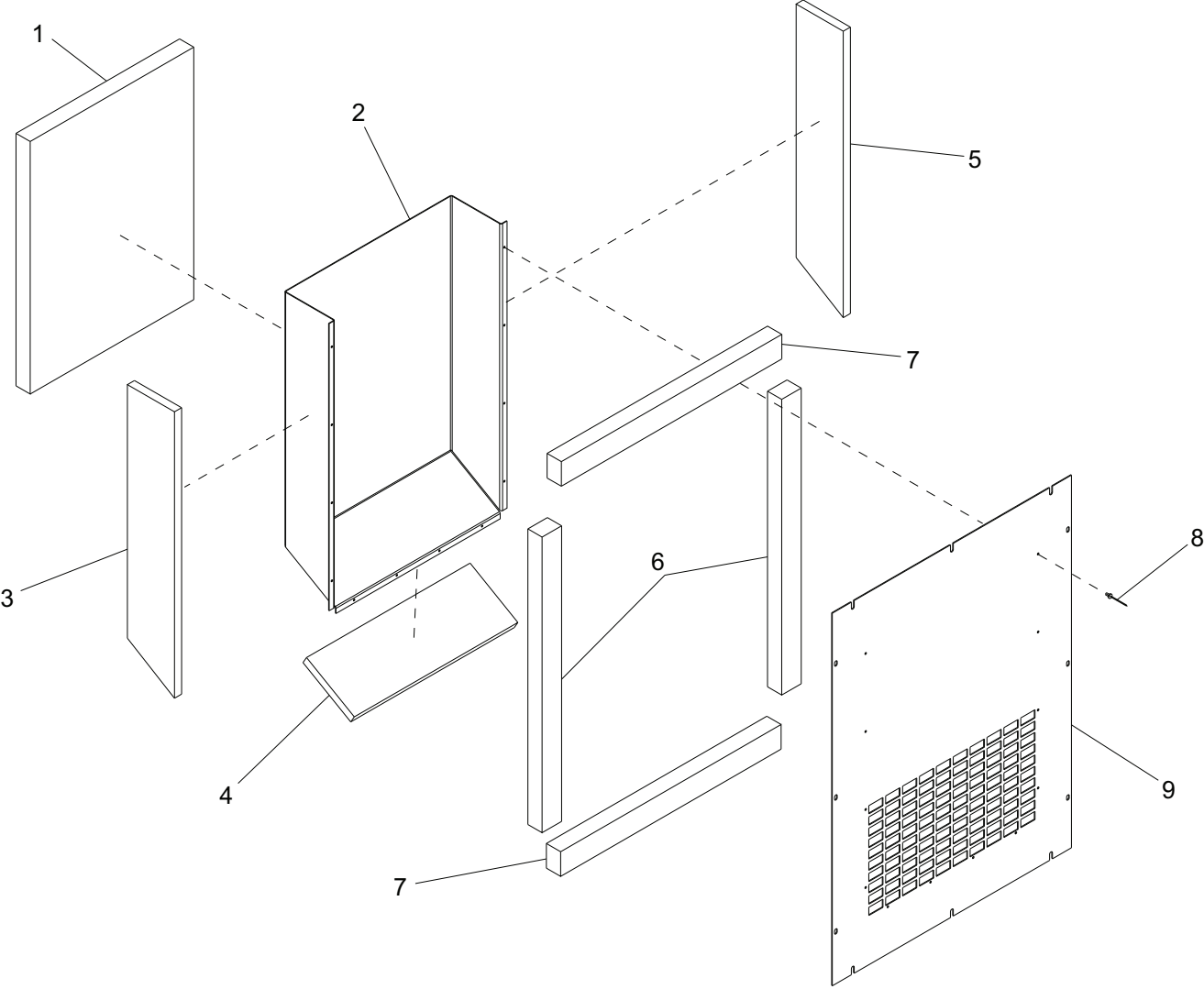
FRONT PANEL ASSEMBLY



FRONT PANEL ASSEMBLY

ITEM	PART NO.	QTY	DESCRIPTION	NOTES
1	22065W	1	Panel, front	
2	22183	1	Foam, front panel	
--	22089	1	Assembly, front panel	Items 1-2

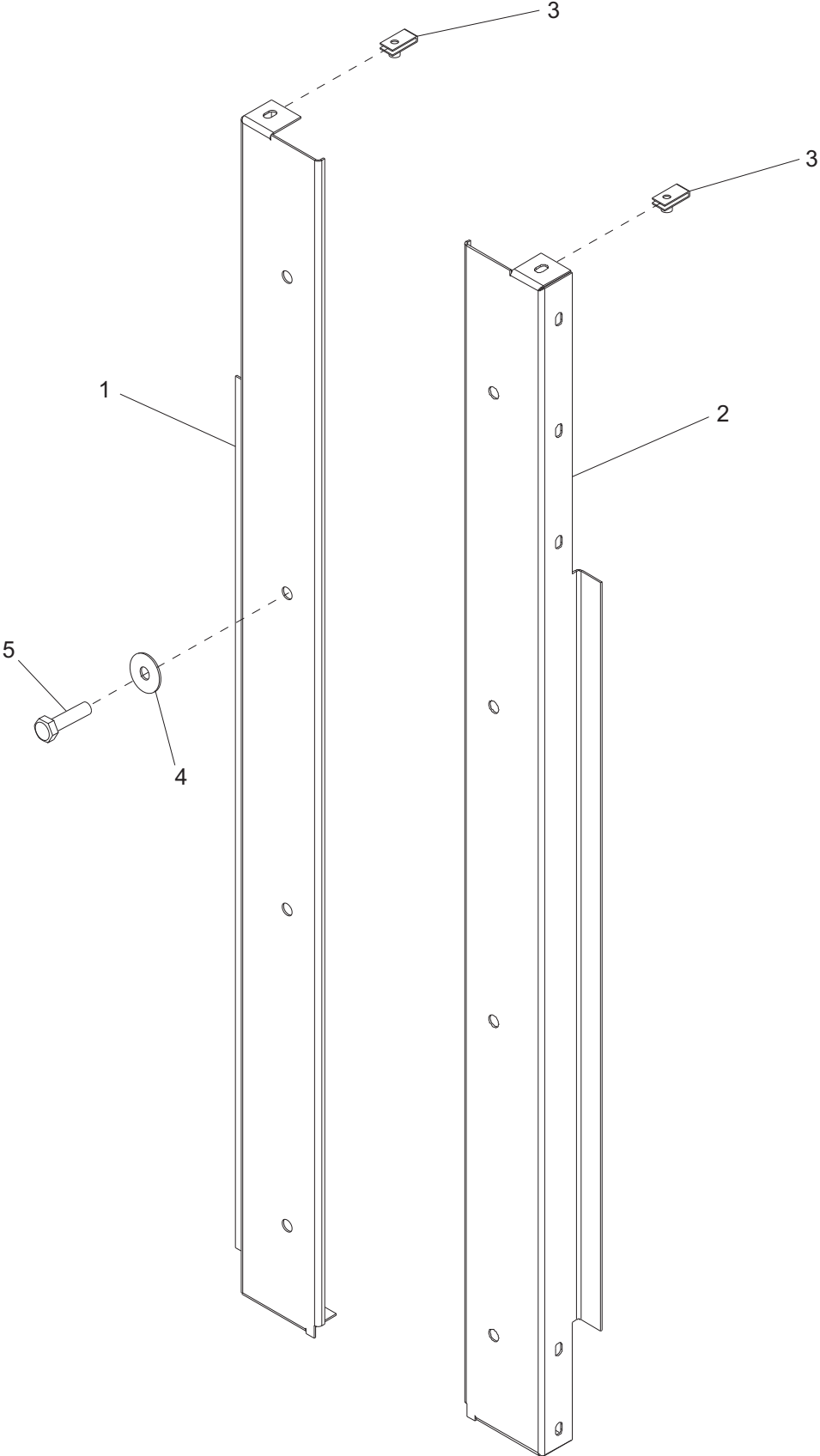
REAR PANEL ASSEMBLY



REAR PANEL ASSEMBLY

ITEM	PART NO.	QTY	DESCRIPTION	NOTES
1	22184	1	Foam, panel - rear duct face	
2	22138W	1	Duct, rear	
3	21966	1	Foam, duct (L)	
4	22185	1	Foam, rear duct lower	
5	21965	1	Foam, duct (R)	
6	21989	2	Foam, panel long	
7	22186	2	Foam, rear panel short	
8	60268	12	Rivet, .188 dia x .126 to .250 grip, SS	
9	22066W	1	Panel, rear	
--	22144	1	Assembly, rear panel	Items 1-9

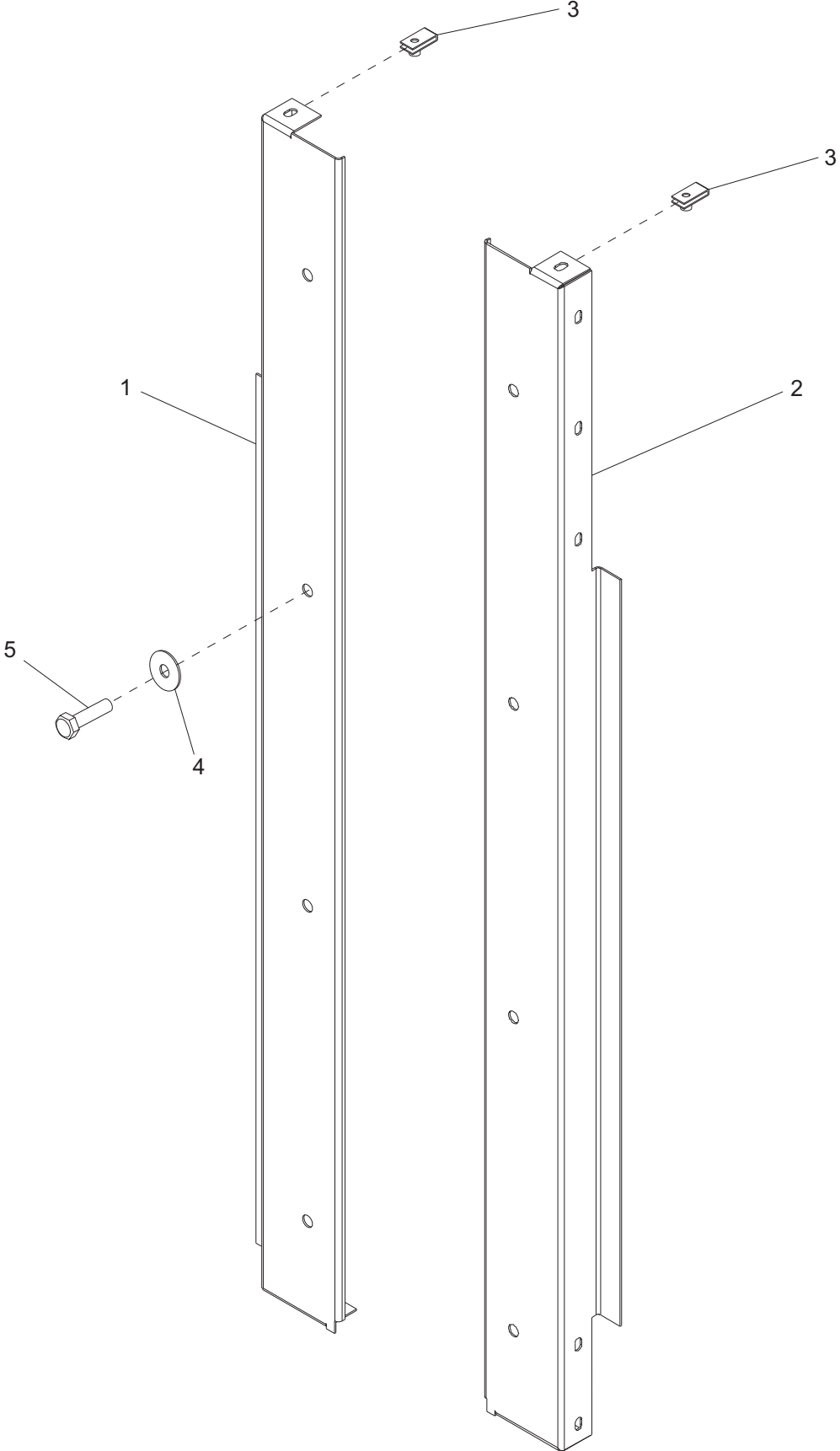
LEFT SIDE CENTER PANEL ASSEMBLY



LEFT SIDE CENTER PANEL ASSEMBLY

ITEM	PART NO.	QTY	DESCRIPTION	NOTES
1	22131W	1	Panel, left/middle/front	
2	22130W	1	Panel, right/middle/front	
3	60505	2	Nut, .312-18 U-clip - long type	
4	60452	8	Washer, .313 flat 1.125/1.0 bnnd rbb, SS	
5	60507	8	Screw, .312-18 x 1.0 in. std hex, SS	

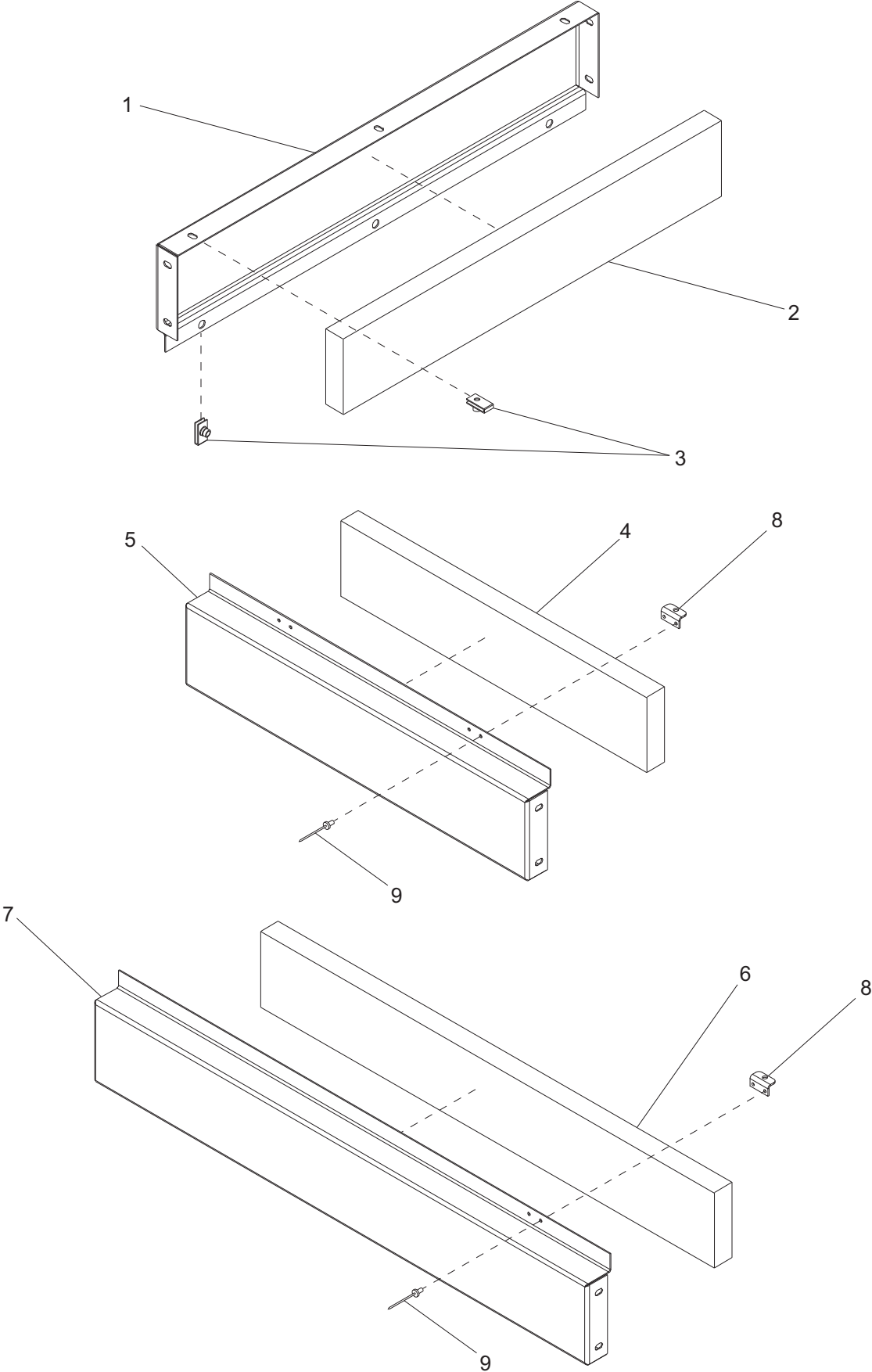
RIGHT SIDE CENTER PANEL ASSEMBLY



RIGHT SIDE CENTER PANEL ASSEMBLY

ITEM	PART NO.	QTY	DESCRIPTION	NOTES
1	22129W	1	Panel, right/middle/rear	
2	22130W	1	Panel, right/middle/front	
3	60505	2	Nut, .312-18 U-clip - long type	
4	60452	8	Washer, .313 flat 1.125/1.0 bnnd rbbr, SS	
5	60507	8	Screw, .312-18 x 1.0 in. std hex, SS	

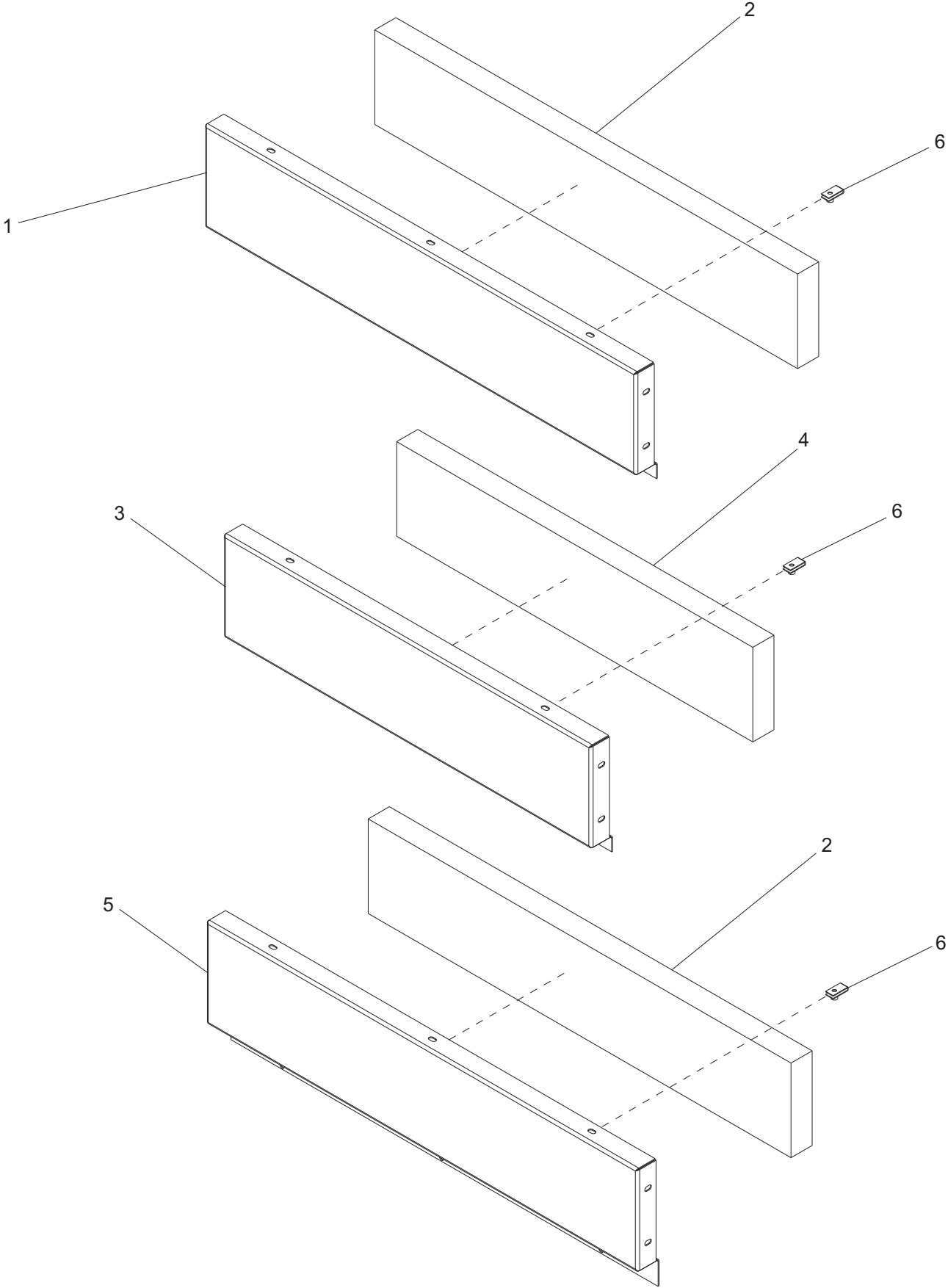
END AND LOWER SIDE PANEL ASSEMBLY



END AND LOWER SIDE PANEL ASSEMBLY

ITEM	PART NO.	QTY	DESCRIPTION	NOTES
1	22064W	4	Panel, end	
2	22178	4	Foam, end panel	
--	22088	4	Assembly, front/rear panel	Items 1-2
3	60505	24	Nut, .312-18 U-clip - long type	
4	22180	2	Foam, lower side panel	
5	22134W	2	Panel, lower side	
--	22140	2	Assembly, front lower panel	Items 4-5
6	22182	1	Foam, lower side panel	
7	22137W	1	Panel, side	
--	22143	1	Assembly, rear lower panel	Items 6-7
8	20916Z	2	Bracket, prop rod	
9	60268	4	Rivet, .188 dia x .126 to .250 grip, SS	

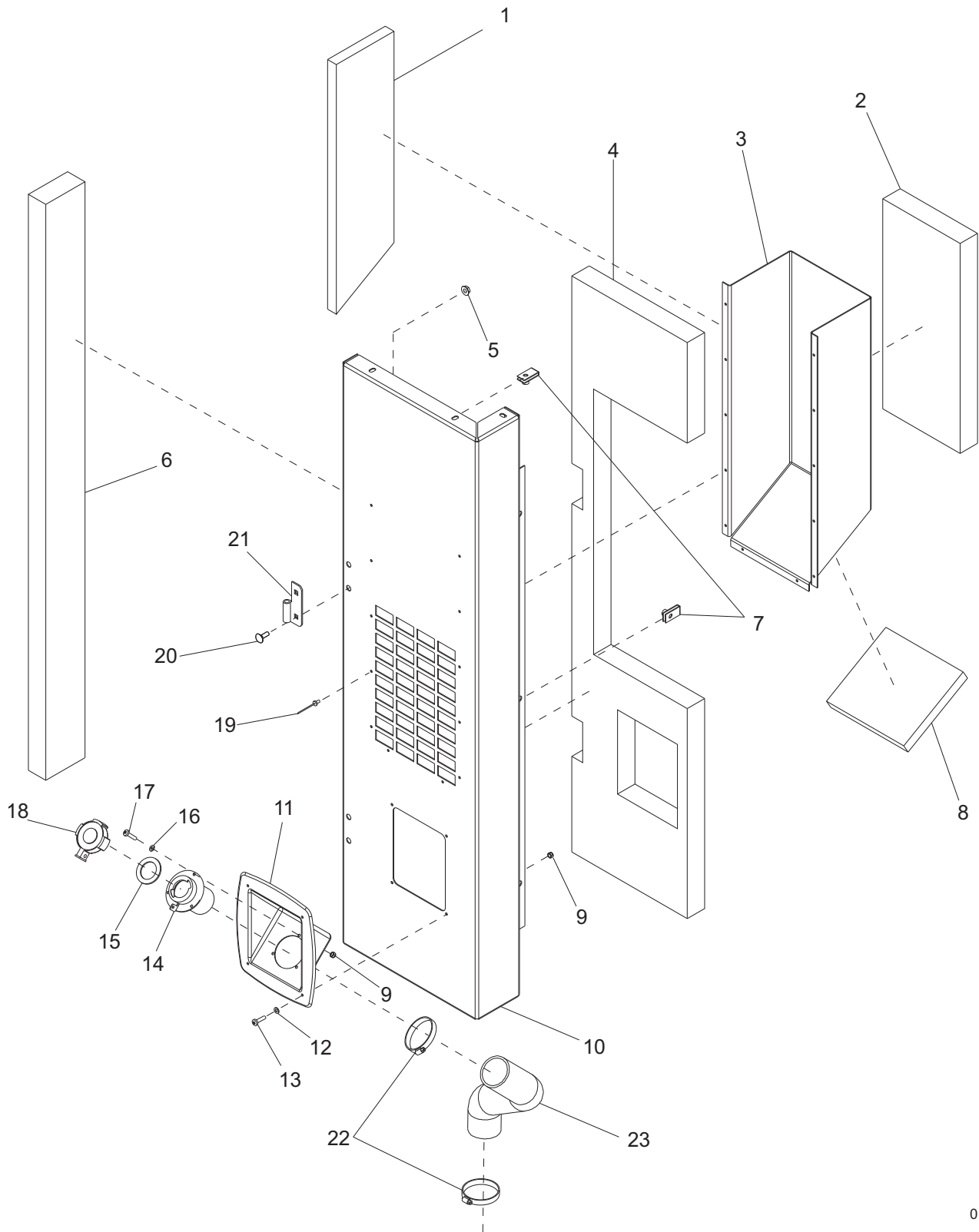
UPPER SIDE PANEL ASSEMBLY



UPPER SIDE PANEL ASSEMBLY

ITEM	PART NO.	QTY	DESCRIPTION	NOTES
1	22135W	1	Panel, left rear upper	
2	22181	2	Foam, right rear upper	
--	22141	1	Assembly, rear/left upper panel	Items 1-2
3	22133W	2	Panel, right front upper	
4	22179	2	Foam, right front upper	
--	22139	2	Assembly, front upper panel	Items 3-4
5	22136W	1	Panel, right rear upper	
--	22142	1	Assembly, rear/right upper panel	Items 2 & 5
6	60505	8	Nut, .312-18 U-clip - long type	

LEFT REAR CORNER ASSEMBLY

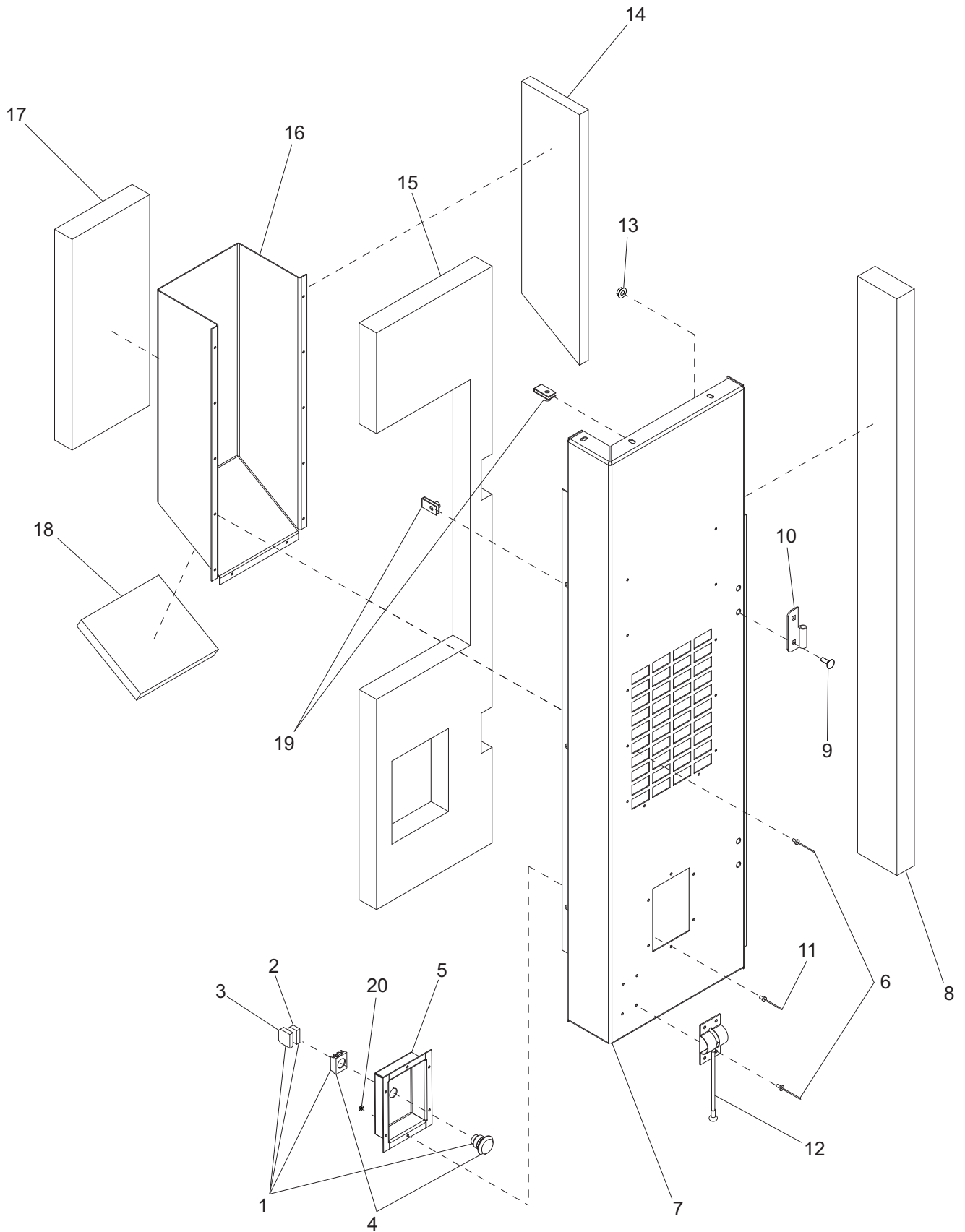


01684

LEFT REAR CORNER ASSEMBLY

ITEM	PART NO.	QTY	DESCRIPTION	NOTES
1	21970	1	Foam, small duct right	
2	21968	1	Foam, small duct face	
3	21871W	1	Duct, side air	
4	22176	1	Foam, rear left corner	
5	60095	4	Nut, .312-18 sflg	
6	21963	1	Foam, corner	
7	60505	6	Nut, .312-18 U-clip - long type	
8	21969	1	Foam, small duct lower	
9	60530	7	Nut, 10-24 nylock, SS	
10	22062W	1	Panel, left rear	
11	18506	1	Port, fuel fill	
12	60067	4	Washer, #10 flat, SS	
13	60529	4	Screw, 10-24 x .625 pan phil, SS	
14	18666B	1	Weldment, filler tube & flange, 2.25 in	
15	19238	1	Gasket, fuel fill	
16	60457	3	Nut, 10-24 nylk, G2	
17	60540	3	Screw, 10-24 x .750 pan phil, SS	
18	18648	1	Cap, fuel fill	
19	60268	12	Rivet, .188 dia x .126 to .250 grip, SS	
20	61066	4	Screw, .312-18 x 1.0 carr sqr, SS	
21	18460	2	Hinge, right (female)	
22	19336	2	Clamp, hose - SAE 044 (2.31-3.25)	
23	18301	1	Hose, fuel fill	
--	22086	1	Assembly, left rear corner	Items 1-23

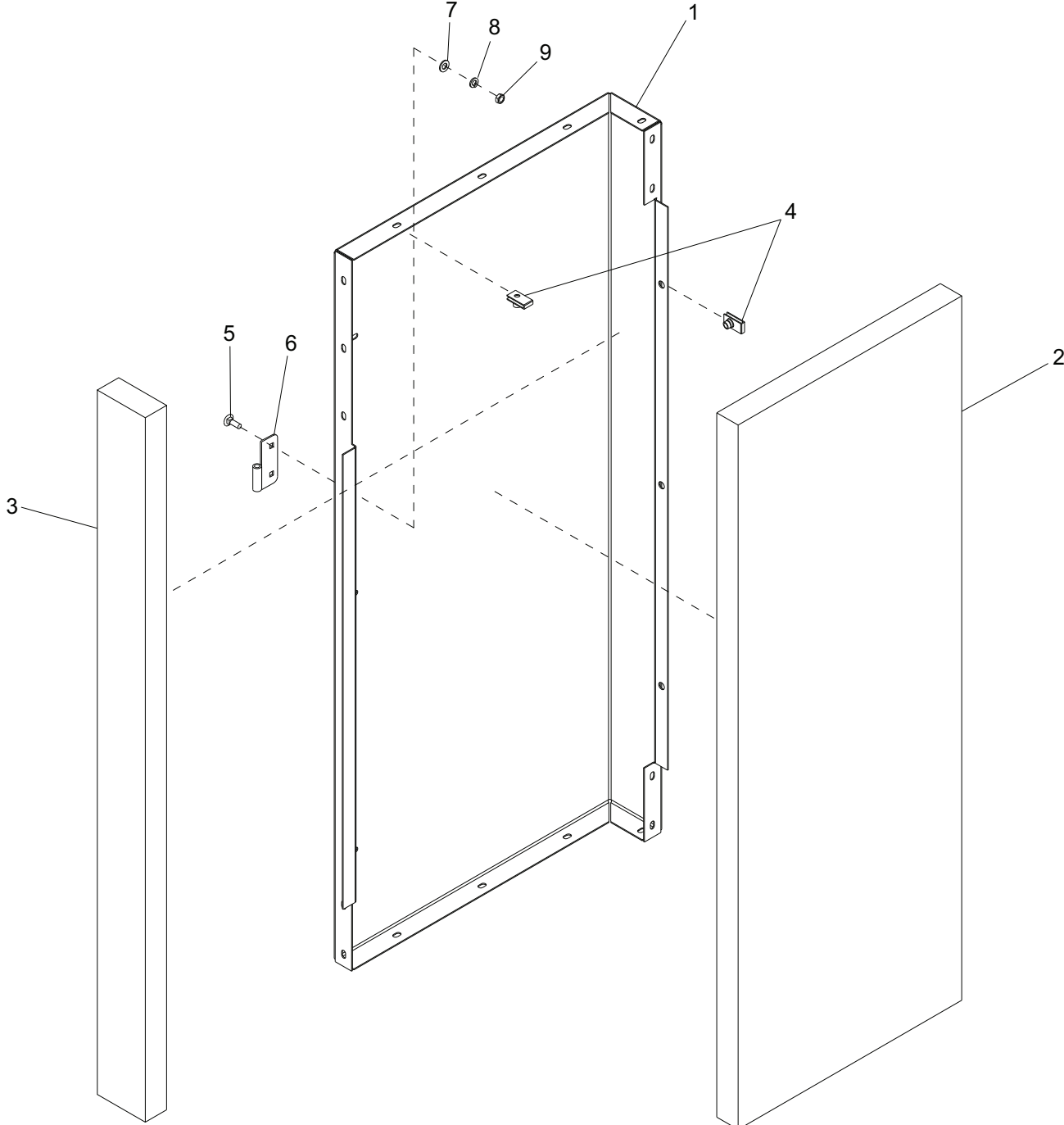
RIGHT REAR CORNER ASSEMBLY



RIGHT REAR CORNER ASSEMBLY

ITEM	PART NO.	QTY	DESCRIPTION	NOTES
1	22550	1	Assembly, E-stop switch 2 NO/1 NC	Items 2-4
2	65580	1	Block, emergency stop contactor NC	
3	65584	1	Block, emergency stop contactor NO/NO	
4	65470	1	Switch, emergency stop operator	
5	30645	1	Panel, emergency stop	
6	60268	12	Rivet, .188 dia x .126 to .250 grip, SS	
7	22063W	1	Panel, right rear	
8	21963	1	Foam, common corner	
9	61066	4	Screw, .312-18 x 1.0 carr sqr, SS	
10	18462	2	Hinge, right (female)	
11	60260	6	Rivet, .188 dia x .375 to .500 grip, SS	
12	62225	1	Latch, door - stainless cable w/ball	
13	60095	4	Nut, .312-18 sflg	
14	21971	1	Foam, duct - left	
15	22177	1	Foam, rear right corner	
16	21871W	1	Duct, side	
17	21968	1	Foam, duct - face	
18	21969	1	Foam, duct - lower	
19	60505	6	Nut, .312-18 U-clip - long type	
20	60067	6	Washer, #10 flat, SS	
--	22087	1	Assembly, right rear corner	Items 5-20

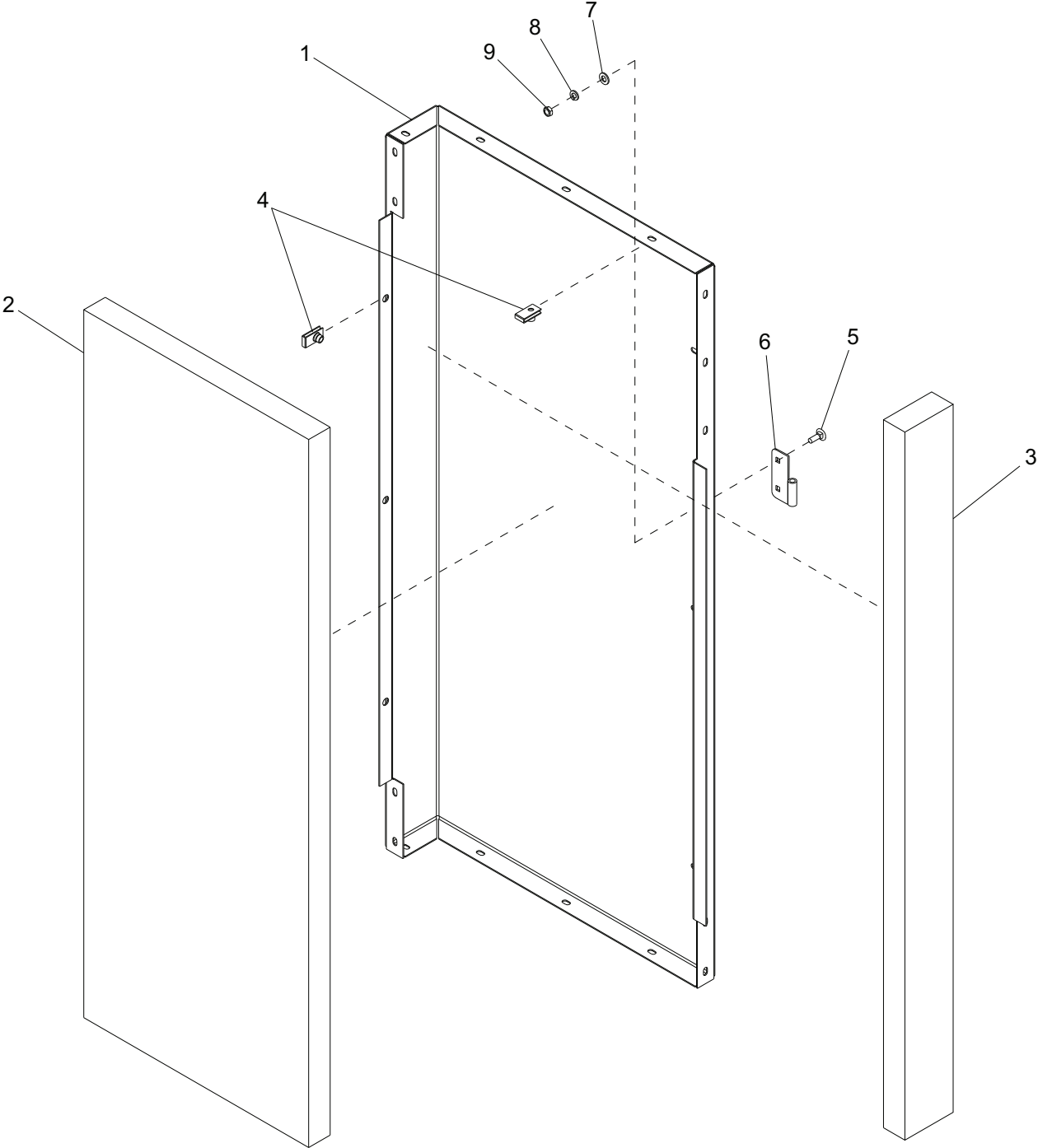
LEFT FRONT CORNER ASSEMBLY



LEFT FRONT CORNER ASSEMBLY

ITEM	PART NO.	QTY	DESCRIPTION	NOTES
1	22052W	1	Panel, front left	
2	21956	1	Foam, front left	
3	21963	1	Foam, corner	
4	60505	7	Nut, .312-18 U-clip - long type	
5	61066	4	Screw, .312-18 x 1.0 carr sqr, SS	
6	18462	2	Hinge, left (female)	
7	60243	4	Washer, .250 flat .735/.060	
8	60271	4	Washer, .312 split lock	
9	60285	4	Nut, .312-18 hex, G5	
--	22080	1	Assembly, left front corner	Items 1-9

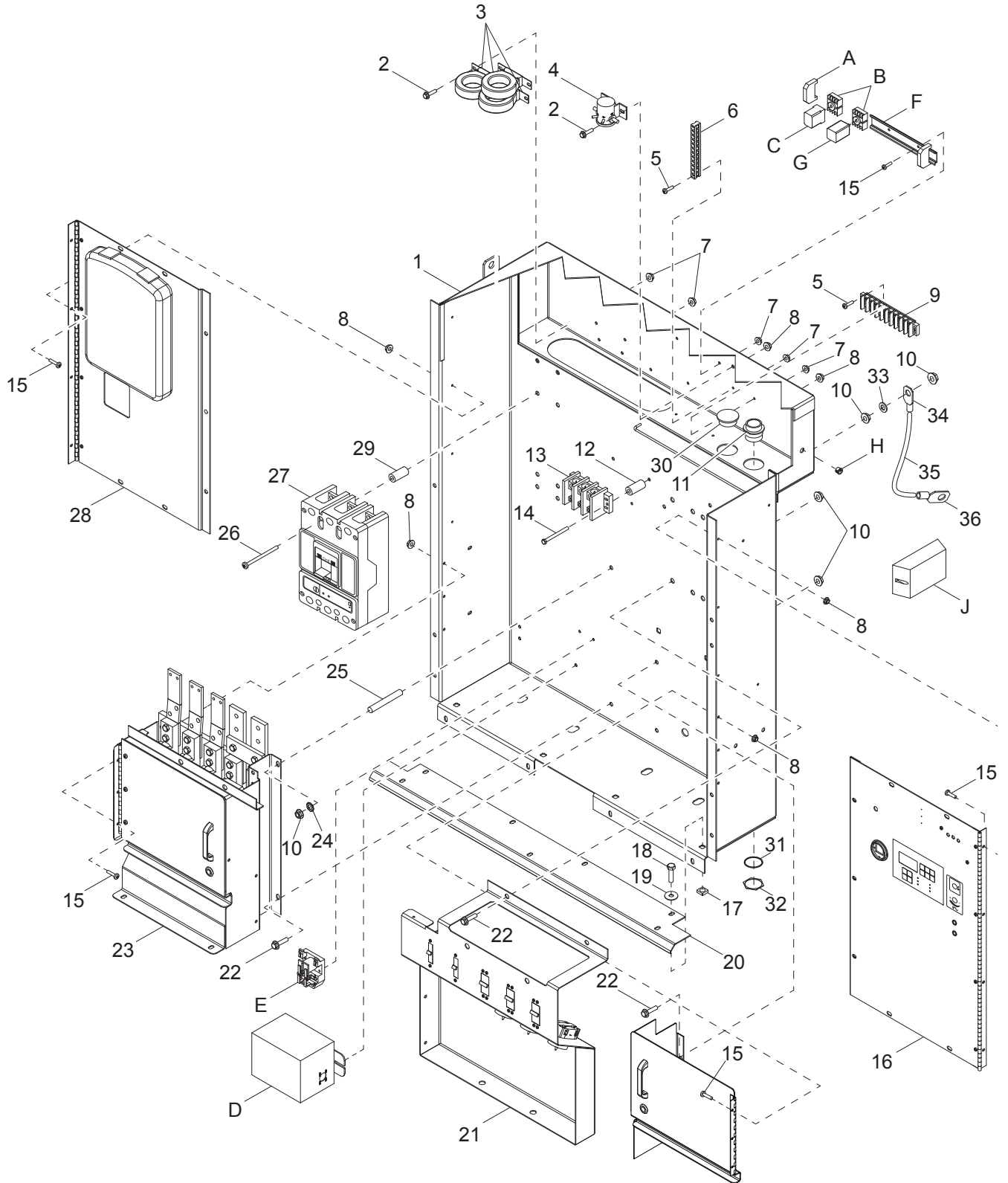
RIGHT FRONT CORNER ASSEMBLY



RIGHT FRONT CORNER ASSEMBLY

ITEM	PART NO.	QTY	DESCRIPTION	NOTES
1	22053W	1	Panel, front right	
2	21956	1	Foam, front right	
3	21963	1	Foam, corner	
4	60505	7	Nut, .312-18 U-clip - long type	
5	61066	4	Screw, .312-18 x 1.0 carr sqr, SS	
6	18460	2	Hinge, right (female)	
7	60243	4	Washer, .250 flat .735/.060	
8	60271	4	Washer, .312 split lock	
9	60285	4	Nut, .312-18 hex, G5	
--	22079	1	Assembly, right front corner	Items 1-9

CONTROL BOX ASSEMBLY - MMG150D, MMG150DCAN



01672

CONTROL BOX ASSEMBLY- MMG150D, MMG150DCAN

ITEM	PART NO.	QTY	DESCRIPTION	NOTES
1	28653B	1	Weldment, control box	
2	60175	8	Screw, .250-20 x .500 sflg hex, G5	
3	65444	3	Transformer, current	
4	66455	1	Relay, 12V 70A NC/80A NO w/diode	
5	60406	2	Screw, 8-32 x 1.0 pan phil, G2	
6	14204	1	Kit, ground bar	
7	60161	16	Nut, .250-20 sflg, G5	
8	61045	17	Nut, 10-32 sflg	
9	14203	1	Block, terminal - 10 pos	
10	60020	5	Nut, M8-1.25 sflg lock, G8.8	
11	65309	1	Connector, 21 pin, deutsch	
12	28581B	2	Spacer, breaker 1.5 in. long	
13	65356	1	Block, terminal - 3 pole	
14	60259	2	Screw, .250-20 x 2.50 std hex, G5	
15	60398	13	Screw, 10-32 x .500 pan phil, SS	
16	Page 50	1	Assembly, right control panel	
17	15425	4	Nut, .312-18 cage	
18	60507	4	Screw, .312-18 x 1.0 in. std hex, SS	
19	60452	4	Washer, .313 flat 1.125/1.0 bndd rbbr, SS	
20	28582B	1	Panel, cable guard	
21	Page 60	1	Assembly, outlet panel	
22	60009	3	Screw, M8-1.25 x 20 sflg hex, G8.8	
23	Page 14	1	Assembly, lug box	
24	60069	1	Washer, M8 ext star	
25	18992	1	Stud, ground	
26	61117	4	Screw, .250-20 x 4.5 in. pan phil, G2	
27	65353	1	Breaker, 600A, 3 pole	
28	Page 56	1	Assembly, left control panel	
29	28580B	4	Spacer, breaker 2.625 in. long	
30	65569	1	Plug, connector hole	
31	65417	1	Washer, lock, 21-pin Deutsch	
32	65416	1	Nut, Deutsch 21-pin plug	
33	60243	4	Washer, .250 flat .735/.060	
34	65134	3	Terminal, ring 2/0AWG	
35	19548	4.667 ft	Wire, 1/0 GA black 125 deg	
36	65158	1	Terminal, ring 2/0AWG	

OPTIONAL FEATURES

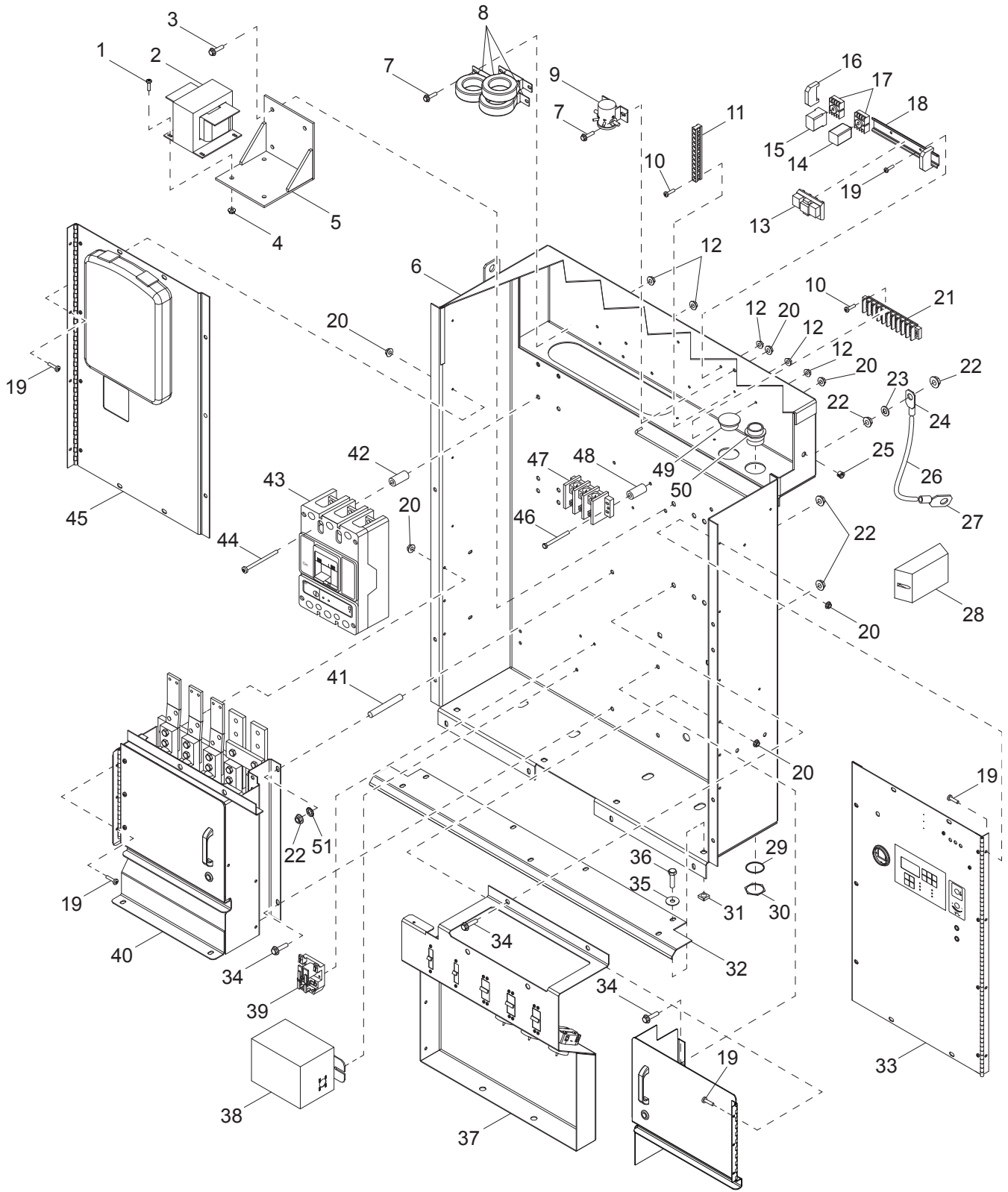
Buck Transformer:

A	65674	2	Stop, 35MM din rail end
B	65644	2	Base, relay - 8 pos
C	66340	1	Relay, voltage sensing
D	21487	1	Transformer, 1-phase 500VA
E	65461	1	Relay, 30A DPDT 120VAC

4 Position Switch:

F	67129	1	Rail, din 35MM x 7.0 in
G	65659	1	Relay, DPDT, 12VDC, 8 pos
H	19163	1	Fitting, bushing - .500 in. x .375 in
J	65326	1	Charger, battery

CONTROL BOX ASSEMBLY - MMG150DCAN6

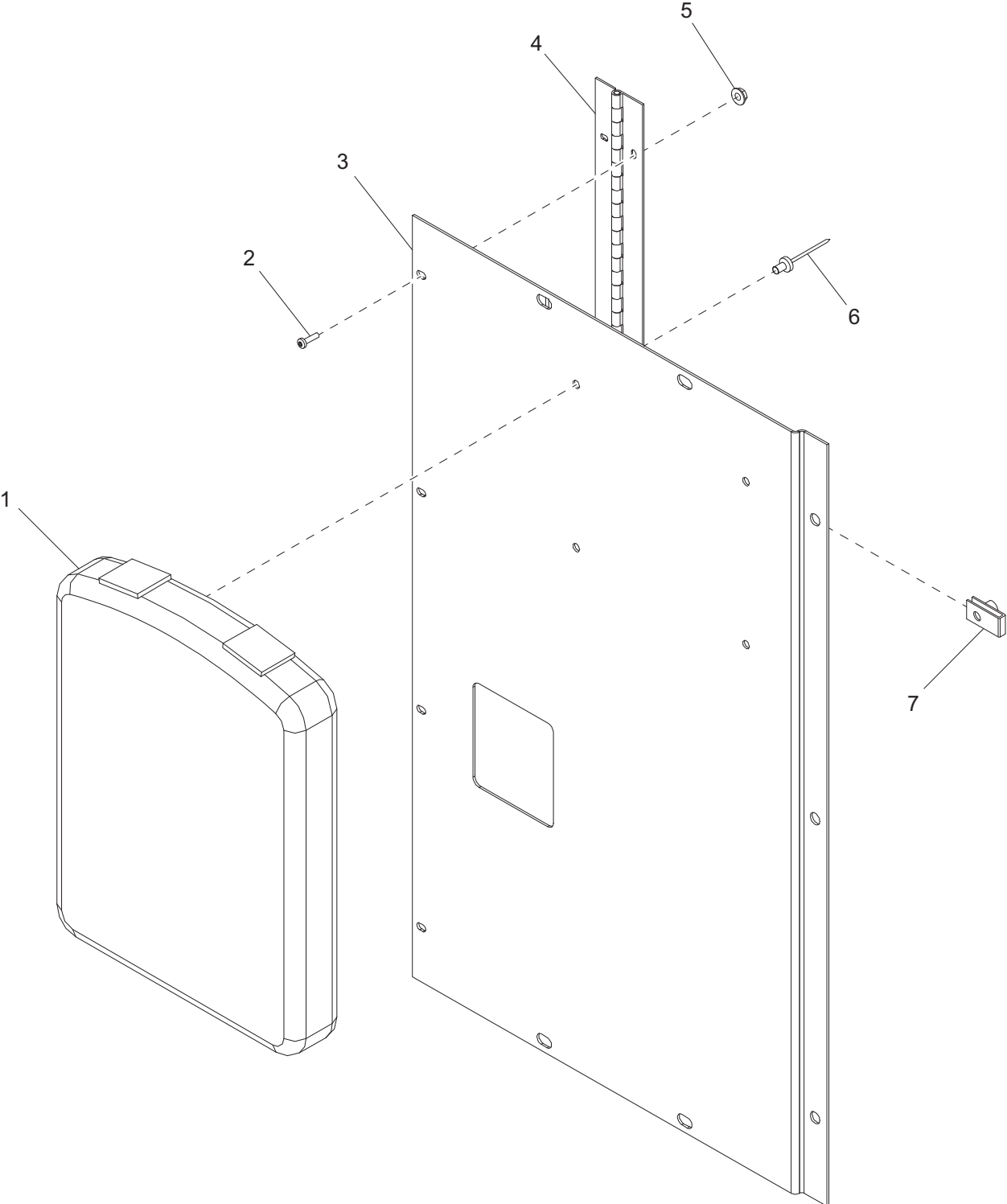


01672

CONTROL BOX ASSEMBLY- MMG150DCAN6

ITEM	PART NO.	QTY	DESCRIPTION	NOTES
1	60398	8	Screw, 10-32 x .500 pan phil, SS	
2	66109	1	Transformer, 600V dedicated gen	
3	60175	4	Screw, .250-20 x .500 sflg hex, G5	
4	61045	8	Nut, 10-32 sflg	
5	34454B	1	Bracket, transformer - 600V	
6	28653B	1	Weldment, control box	
7	60175	8	Screw, .250-20 x .500 sflg hex, G5	
8	65444	3	Transformer, current	
9	66455	1	Relay, 12V 70A NC/80A NO w/diode	
10	60406	2	Screw, 8-32 x 1.0 pan phil, G2	
11	14204	1	Kit, ground bar	
12	60161	16	Nut, .250-20 sflg, G5	
13	66864	1	Assembly, trnsfrmr brd - stp dwn 2:1	
14	65659	1	Relay, DPDT, 12VDC, 8 pos	
15	66340	1	Relay, voltage sensing	
16	65674	2	Stop, 35MM din rail end	
17	65644	2	Base, relay - 8 pos	
18	67129	1	Rail, din 35MM x 7.0 in	
19	60398	13	Screw, 10-32 x .500 pan phil, SS	
20	61045	17	Nut, 10-32 sflg	
21	14203	1	Block, terminal - 10 pos	
22	60020	5	Nut, M8-1.25 sflg lock, G8.8	
23	60243	4	Washer, .250 flat .735/.060	
24	65134	3	Terminal, ring 2/0AWG	
25	19163	1	Fitting, bushing - .500 in. x .375 in	
26	19548	4.667 ft	Wire, 1/0 GA black 125 deg	
27	65158	1	Terminal, ring 2/0AWG	
28	65326	1	Charger, battery	
29	65417	1	Washer, lock, 21-pin Deutsch	
30	65416	1	Nut, Deutsch 21-pin plug	
31	15425	4	Nut, .312-18 cage	
32	28582B	1	Panel, cable guard	
33	<i>Page 50</i>	1	Assembly, right control panel	
34	60009	3	Screw, M8-1.25 x 20 sflg hex, G8.8	
35	60452	4	Washer, .313 flat 1.125/1.0 bndd rbbr, SS	
36	60507	4	Screw, .312-18 x 1.0 in. std hex, SS	
37	<i>Page 60</i>	1	Assembly, outlet panel	
38	21487	1	Transformer, 1-phase 500VA	
39	65461	1	Relay, 30A DPDT 120VAC	
40	<i>Page 14</i>	1	Assembly, lug box	
41	18992	1	Stud, ground	
42	28580B	4	Spacer, breaker 2.625 in. long	
43	65353	1	Breaker, 600A, 3 pole	
44	61117	4	Screw, .250-20 x 4.5 in. pan phil, G2	
45	<i>Page 56</i>	1	Assembly, left control panel	
46	60259	2	Screw, .250-20 x 2.50 std hex, G5	
47	65356	1	Block, terminal - 3 pole	
48	28581B	2	Spacer, breaker 1.5 in. long	
49	65569	1	Plug, connector hole	
50	65309	1	Connector, 21 pin, deutsch	
51	60069	1	Washer, M8 ext star	

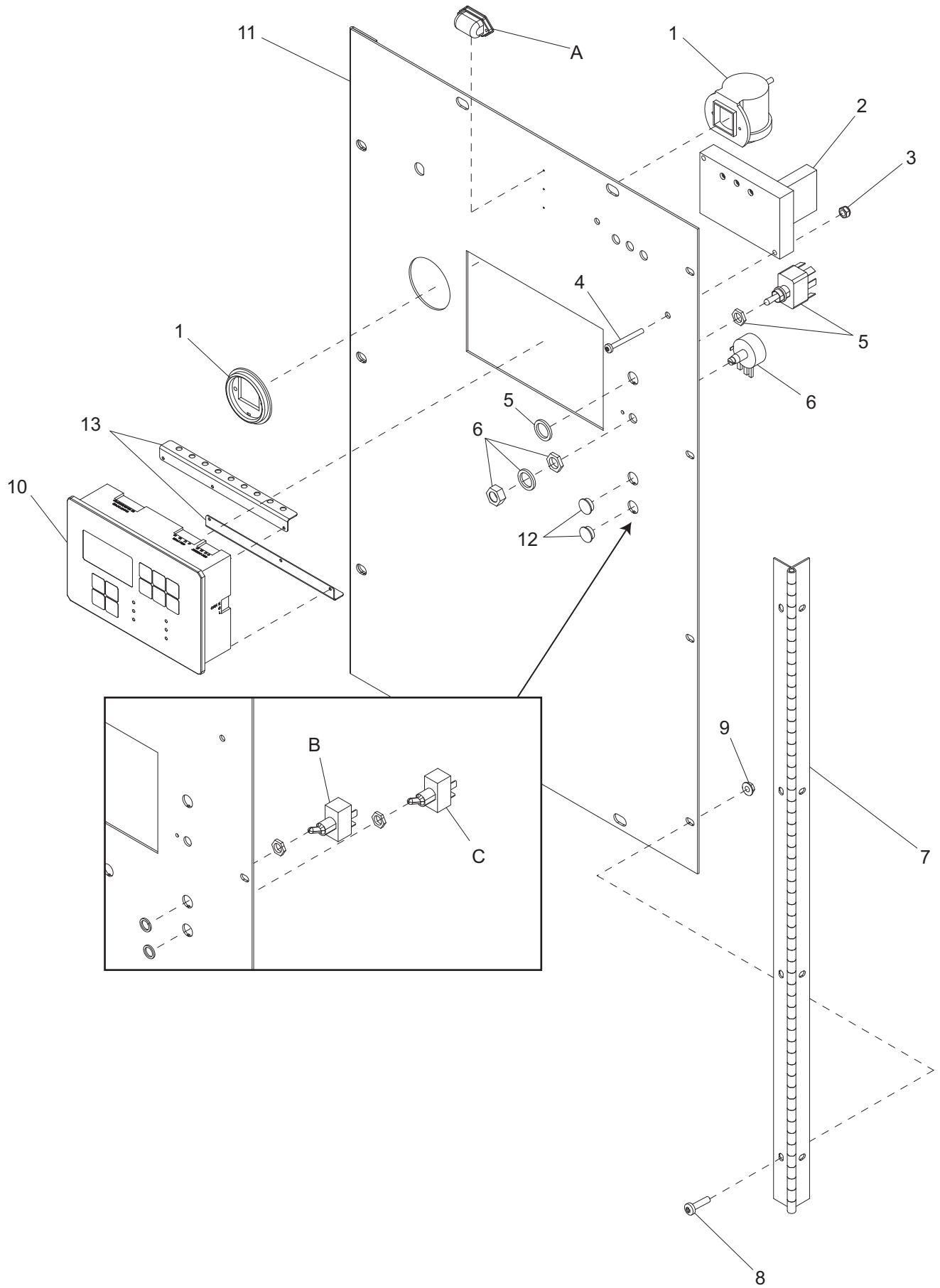
LEFT CONTROL PANEL ASSEMBLY



LEFT CONTROL PANEL ASSEMBLY

ITEM	PART NO.	QTY	DESCRIPTION	NOTES
1	24540	1	Holder, manual	
2	60398	8	Screw, 10-32 x .500 pan phil, SS	
3	28564W	1	Panel, control - left	
4	22208	1	Hinge, control panel - 28.0 in	
5	61045	8	Nut, 10-32 sflg	
6	60231	4	Rivet, .188 dia x .375 to .500 grip, SS	
7	60505	3	Nut, .312-18 U-clip - long type	

RIGHT CONTROL PANEL ASSEMBLY



RIGHT CONTROL PANEL ASSEMBLY

ITEM	PART NO.	QTY	DESCRIPTION	NOTES
1	18609	1	Kit, filter minder gauge	
2	10519	1	Regulator, voltage - SE 350	
3	60061	2	Nut, 10-32 nylock	
4	60397	2	Screw, 10-32 x 1.0 pan phil, G2	
5	25077	1	Switch, toggle - SPST 20A VAC	
6	18113	1	Potentiometer 2.5K, 2 watt	
--	18934	1	Decal, potentiometer guard	
7	22208	1	Hinge, control panel - 28.0 in	
8	60398	4	Screw, 10-32 x .500 pan phil, SS	
9	61045	4	Nut, 10-32 sflg	
10	66322	1	Controller, eng/gen - programmed	For MMG150D & MMG150DCAN
	67103	1	Controller, eng/gen - programmed, 600V	For MMG150DCAN6
11	28634W	1	Panel, digital control	
12	60749	2	Plug, hole .500 dia - white	
13	29893	2	Bracket, control board wire guide	

OPTIONAL FEATURES

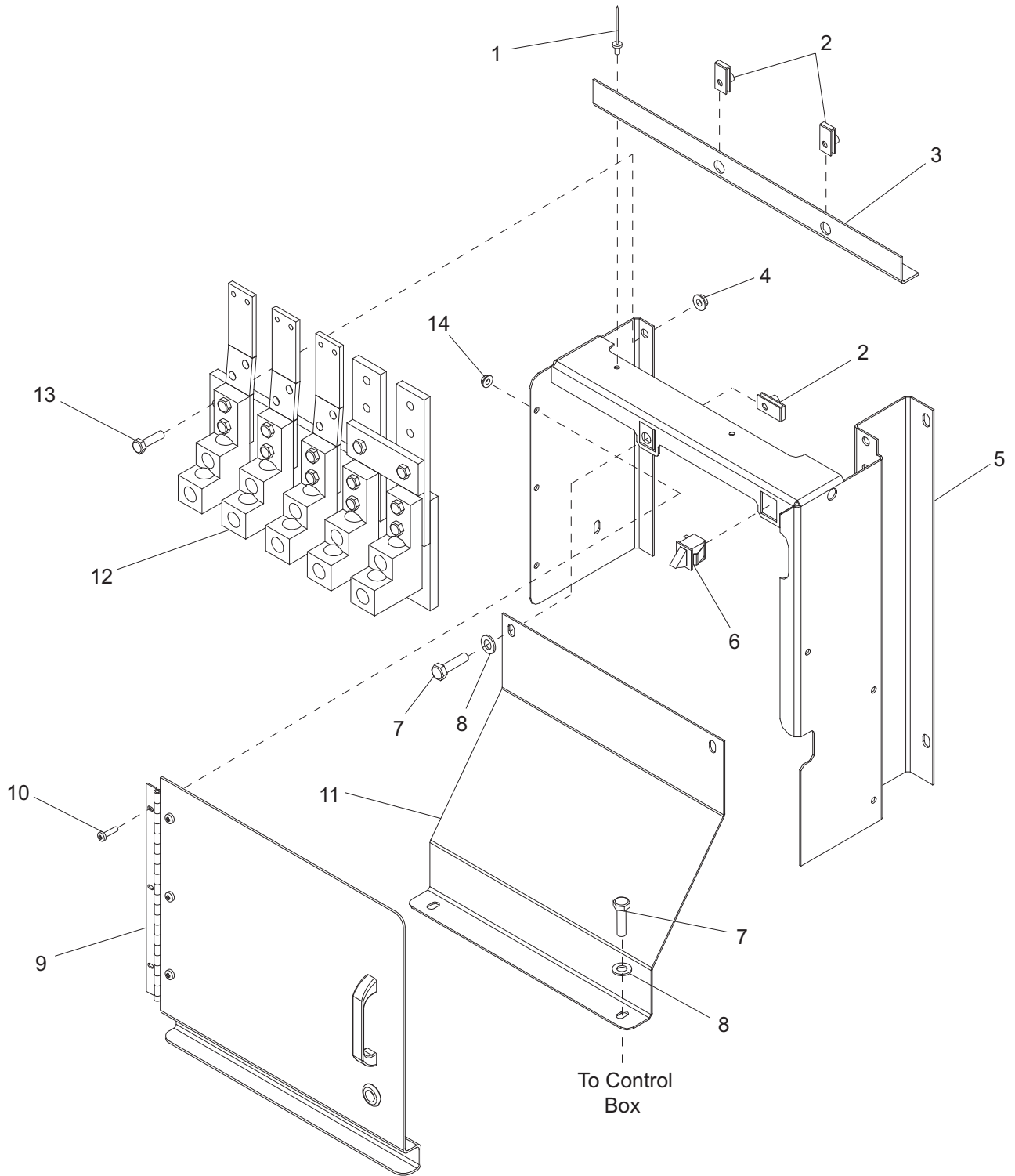
Control Panel Light:

A	23025	1	Light, interior control panel
B	25077	1	Switch, toggle - SPST 20A VAC
--	67042	1	Wire group - control panel light

Interior Light:

C	25077	1	Switch, toggle - SPST 20A VAC
---	-------	---	-------------------------------

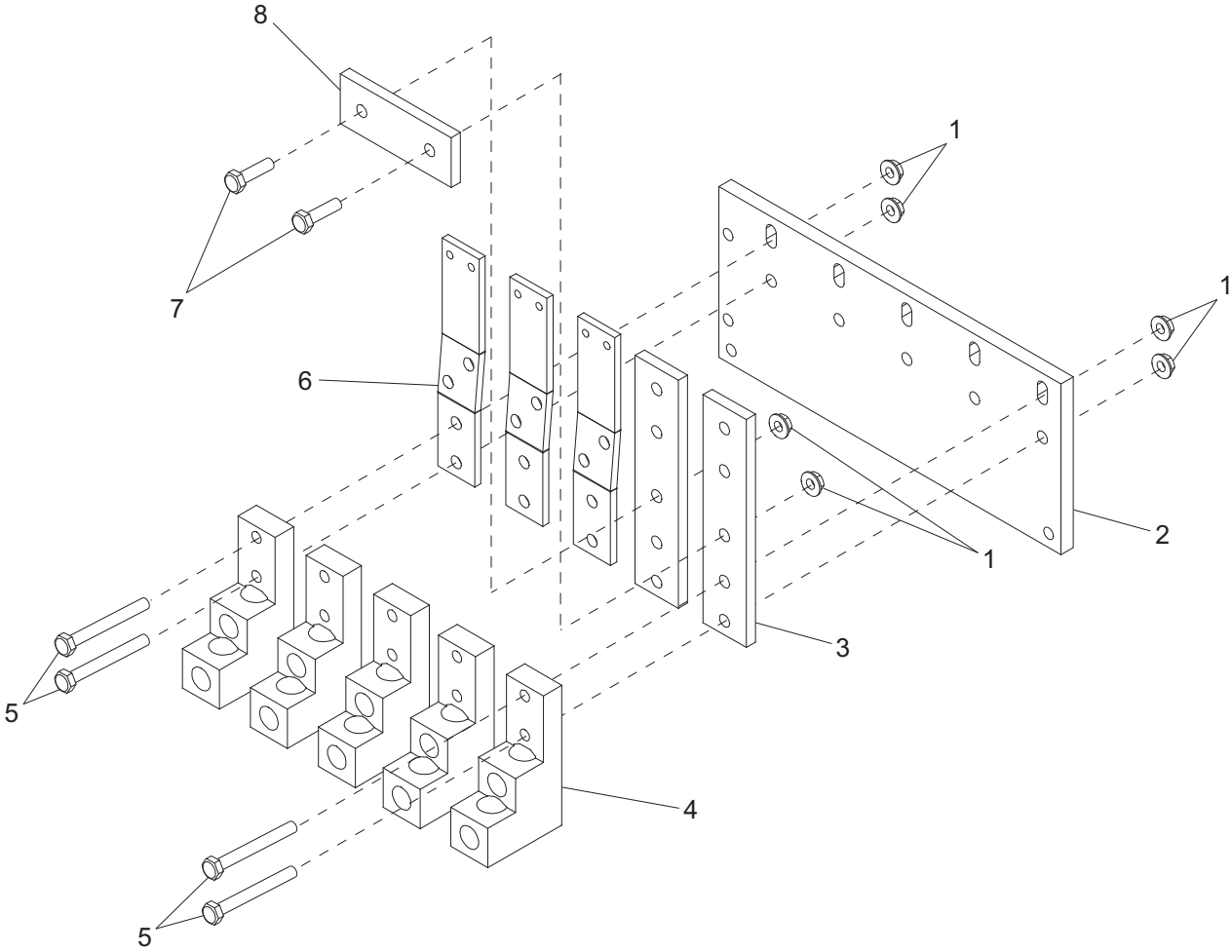
LUG BOX ASSEMBLY



LUG BOX ASSEMBLY

ITEM	PART NO.	QTY	DESCRIPTION	NOTES
1	60268	2	Rivet, .188 dia x .126 to .250 grip, SS	
2	60505	4	Nut, .312-18 U-clip - long type	
3	28583W	1	Angle, top lug box	
4	60145	2	Nut, .375-16 sflg, G5	
5	28561W	1	Box, lug enclosure	
6	12632	2	Switch, trigger safety, NO & NC	
7	60507	2	Screw, .312-18 x 1.0 in. std hex, SS	
8	60452	2	Washer, .313 flat 1.125/1.0 bnnd rbr, SS	
9	<i>Page 56</i>	1	Assembly, lug box door	
10	60398	3	Screw, 10-32 x .500 pan phil, SS	
11	28569W	1	Panel, lug box outlet	
12	<i>Page 54</i>	1	Assembly, lug plate	
13	60205	2	Screw, .375-16 x 1.0 std hex, G5	
14	61045	3	Nut, 10-32 sflg	

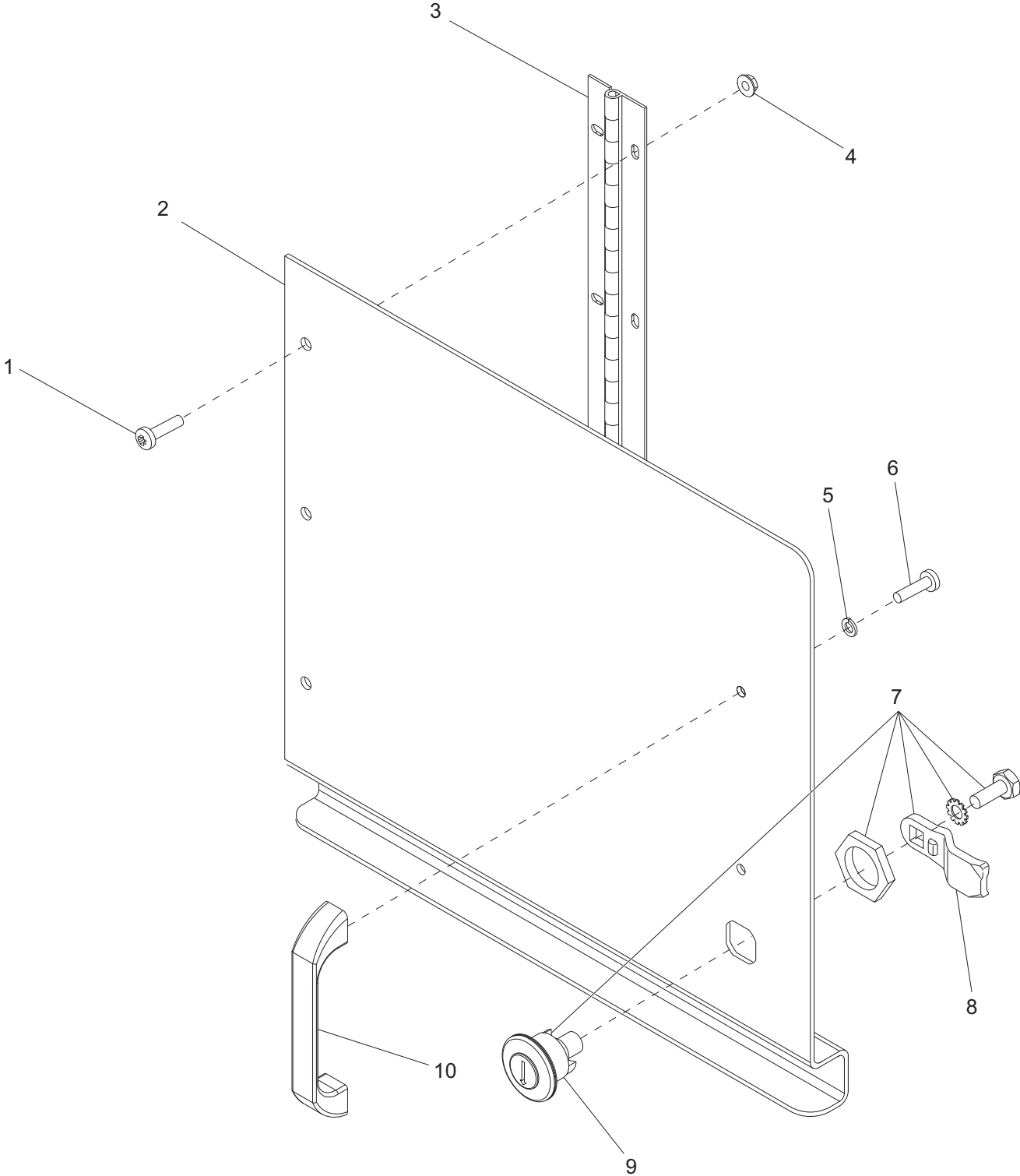
LUG PLATE ASSEMBLY



LUG PLATE ASSEMBLY

ITEM	PART NO.	QTY	DESCRIPTION	NOTES
1	60145	12	Nut, .375-16 sflg, G5	
2	27828	1	Panel, lug box glastic	
3	28584	2	Bus, lug extension	
4	65890	5	Lug, terminal dual - 2 hole stacked	
5	60478	10	Screw, .375-16 x 2.0 std hex, G5	
6	28594	3	Bus, main breaker out	
7	60205	2	Screw, .375-16 x 1.0 std hex, G5	
8	28585	1	Bus, grounding link	

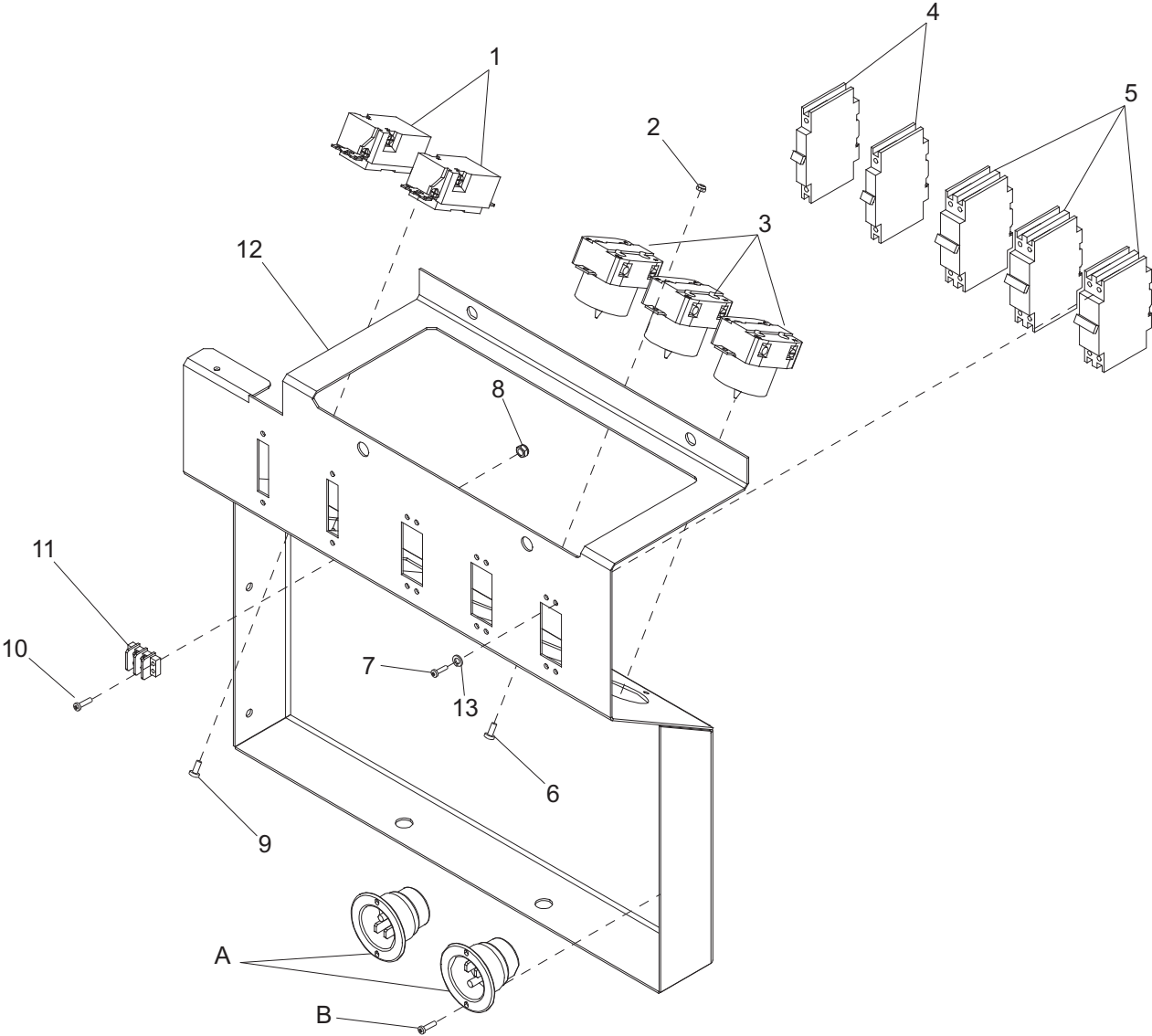
LUG BOX DOOR ASSEMBLY



LUG BOX DOOR ASSEMBLY

ITEM	PART NO.	QTY	DESCRIPTION	NOTES
1	60398	3	Screw, 10-32 x .500 pan phil, SS	
2	28570W	1	Panel, lug box door	
3	22018	1	Hinge, continuous - 10.25 in	
4	61045	3	Nut, 10-32 sflg	
5	60252	2	Washer, #10 split lock	
6	60068	2	Screw, 10-24 x .500 pan phil, G2	
7	12547	1	Assembly, cam lock, quarter turn	Items 8-9
8	12550	1	Cam lock lever leg	
9	12549	1	Cam lock cylinder	
10	18893	1	Handle, lug door	

OUTLET PANEL ASSEMBLY - MMG150D



OUTLET PANEL ASSEMBLY - MMG150D

ITEM	PART NO.	QTY	DESCRIPTION	NOTES
1	14130	2	Receptacle, 120V/20A GFI	
2	60457	6	Nut, 10-24 nylock	
3	18089	3	Receptacle, 120/240V 50A, twist lock	
4	18091	2	Breaker, 20A, 240V, 1-pole	
5	18092	3	Breaker, 50A, 240V, 2-pole	
6	60068	6	Screw, 10-24 x .500 pan phil, G2	
7	60046	16	Screw, 6-32 x .750 pan phil, G2	
8	60270	2	Nut, 8-32 nylock	
9	60405	4	Screw, 6-32 x .250 pan phil, G2	
10	60526	2	Screw, 8-32 x .500 pan phil, G2	
11	18890	1	Block, terminal - 2 pos	
12	26355W	1	Panel, outlets	
13	60058	20	Washer, #6 split lock	

OPTIONAL FEATURES

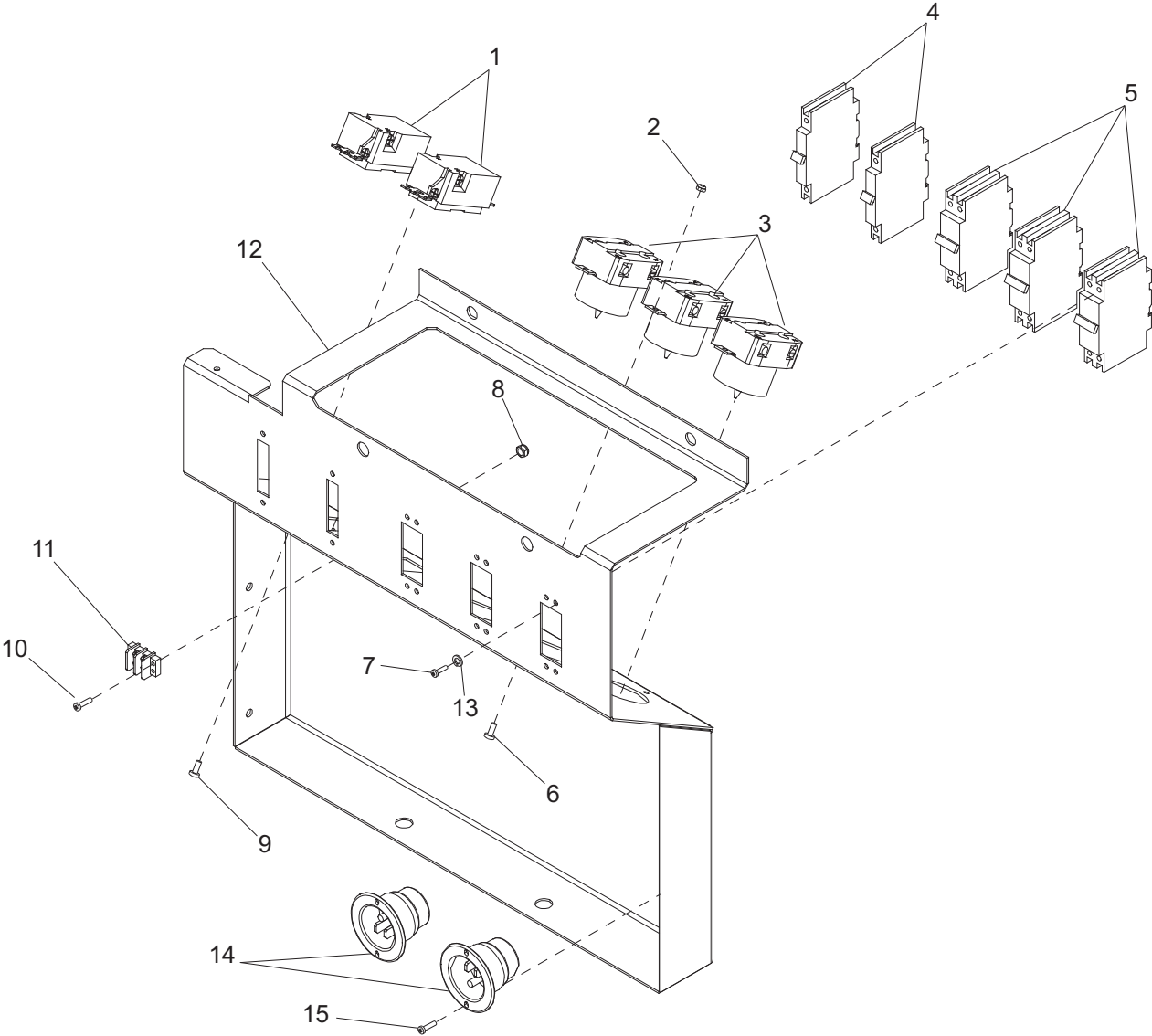
Battery Charger:

A	65285	2	Receptacle, 120V/15A inlet
B	60480	4	Screw, 10-16 x .750 pan phil, G2

Hotstart:

A	65285	2	Receptacle, 120V/15A inlet
---	-------	---	----------------------------

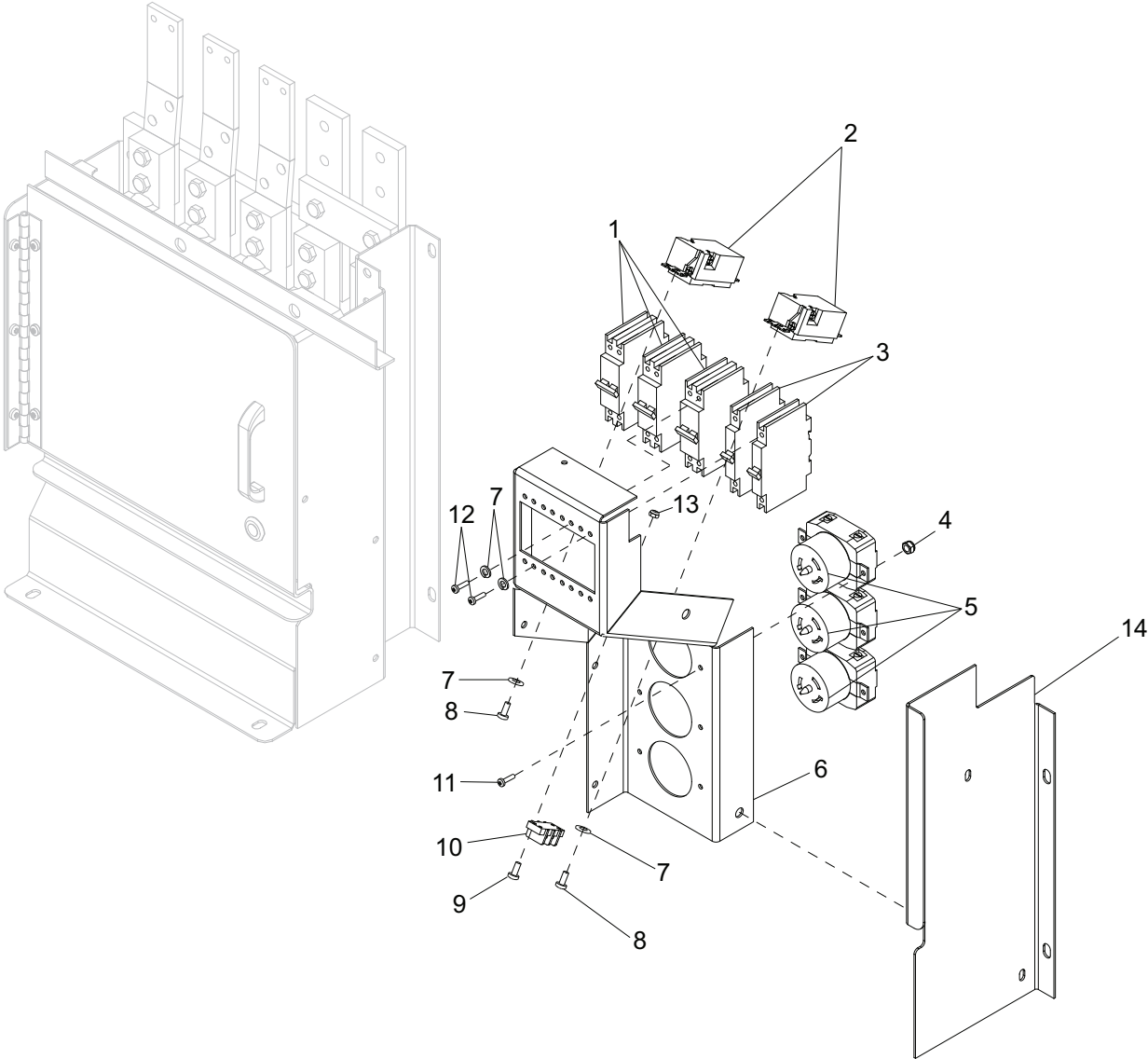
OUTLET PANEL ASSEMBLY - MMG150DCAN, MMG150DCAN6



OUTLET PANEL ASSEMBLY- MMG150DCAN, MMG150DCAN6

ITEM	PART NO.	QTY	DESCRIPTION	NOTES
1	14130	2	Receptacle, 120V/20A GFI	
2	60457	6	Nut, 10-24 nylock	
3	18089	3	Receptacle, 120/240V 50A, twist lock	
4	18091	2	Breaker, 20A, 240V, 1-pole	
5	18092	3	Breaker, 50A, 240V, 2-pole	
6	60068	6	Screw, 10-24 x .500 pan phil, G2	
7	60046	16	Screw, 6-32 x .750 pan phil, G2	
8	60270	2	Nut, 8-32 nylock	
9	60405	4	Screw, 6-32 x .250 pan phil, G2	
10	60526	2	Screw, 8-32 x .500 pan phil, G2	
11	18890	1	Block, terminal - 2 pos	
12	26355W	1	Panel, outlets	
13	60058	20	Washer, #6 split lock	
14	65285	2	Receptacle, 120V/15A inlet	
15	60480	4	Screw, 10-16 x .750 pan phil, G2	

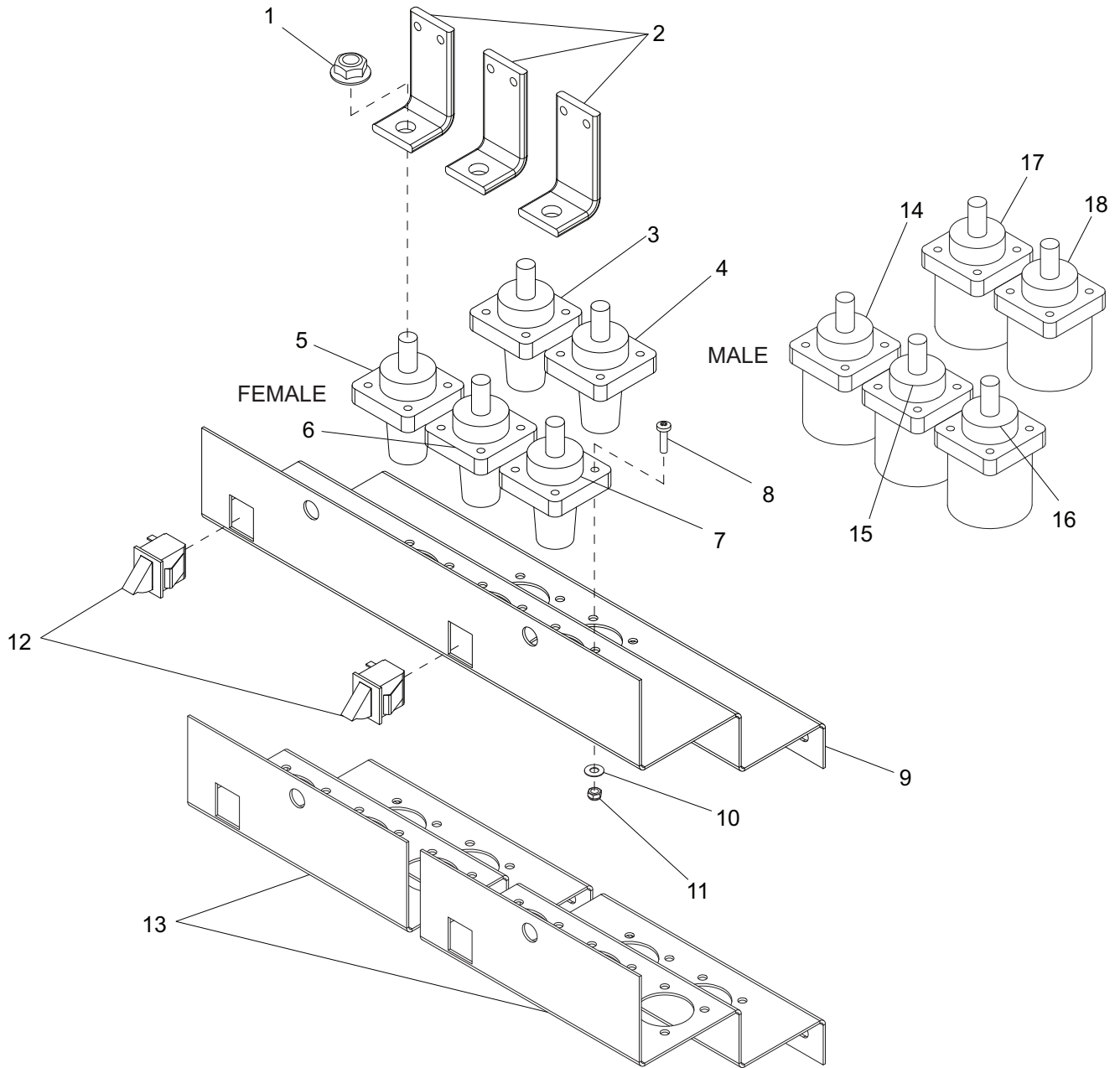
OUTLET PANEL ASSEMBLY FOR CAM LOCK OPTIONS



OUTLET PANEL ASSEMBLY FOR CAM LOCK OPTIONS

ITEM	PART NO.	QTY	DESCRIPTION	NOTES
1	18092	3	Breaker, 50A, 240V, 2-pole	
2	14130	2	Receptacle, 120V/20A GFI	
3	18091	2	Breaker, 20A, 240V, 1-pole	
4	60457	6	Nut, 10-24 nylock	
5	18089	3	Receptacle, 120/240V 50A, twist lock	
6	26355W	1	Panel, outlets	
7	60058	20	Washer, #6 split lock	
8	60405	4	Screw, 6-32 x .250 pan phil, G2	
9	60526	2	Screw, 8-32 x .500 pan phil, G2	
10	18890	1	Block, terminal - 2 pos	
11	60068	6	Screw, 10-24 x .500 pan phil, G2	
12	60046	16	Screw, 6-32 x .750 pan phil, G2	
13	60270	2	Nut, 8-32 nylock	
14	26161W	1	Panel, cam lock box	

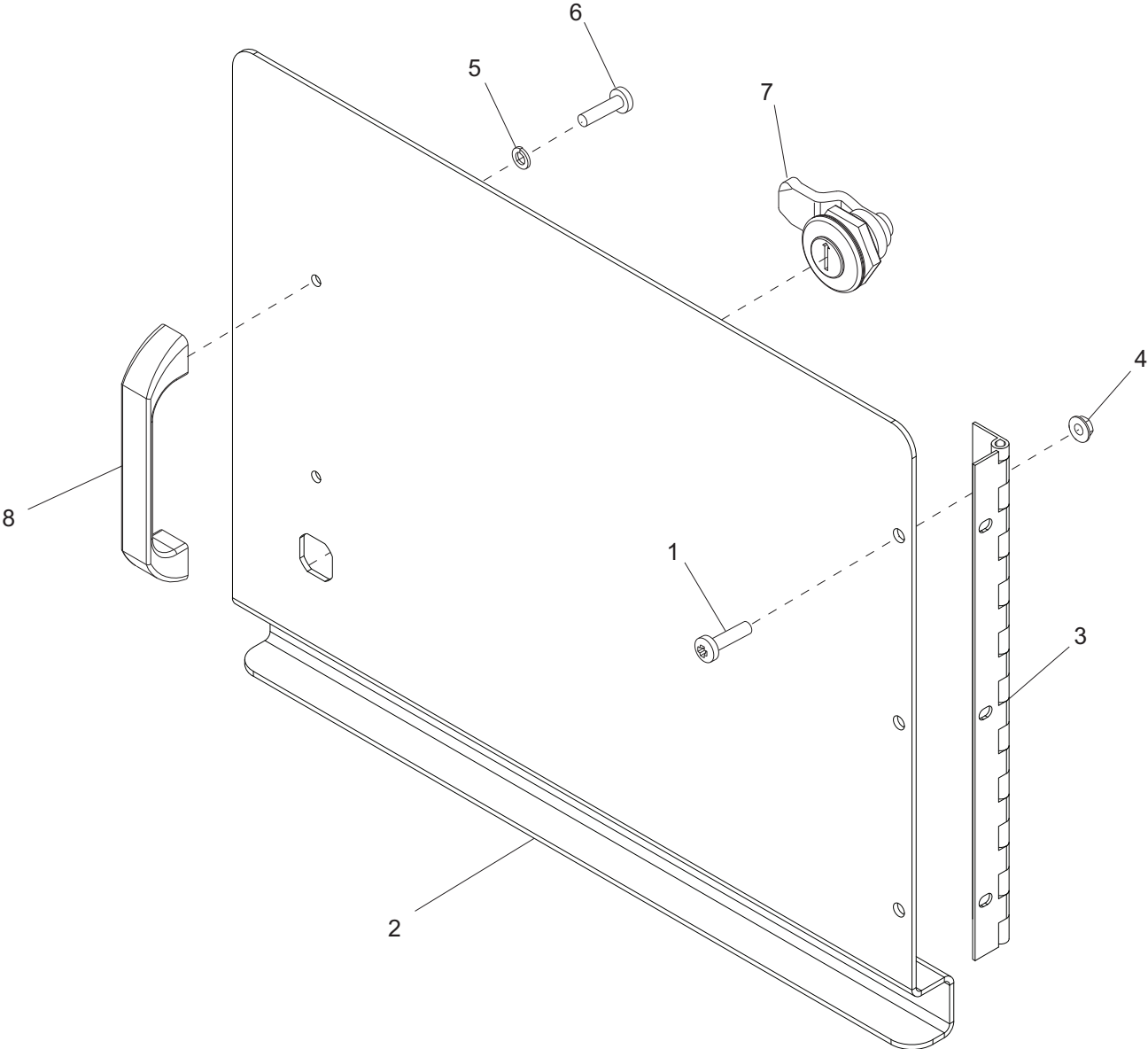
CAM LOCK PANEL ASSEMBLY OPTIONS



CAM LOCK PANEL ASSEMBLY OPTIONS

ITEM	PART NO.	QTY	DESCRIPTION	NOTES
1	60098	3	Nut, .500-13 sflg	
2	28565	3	Bus, cam lock mount	
3	66040	1	Connector, cam lock fml - white 400A	
4	66041	1	Connector, cam lock fml - green 400A	
5	65551	1	Connector, cam lock fml - black 400A	
6	65552	1	Connector, cam lock fml - red 400A	
7	65553	1	Connector, cam lock fml - blue 400A	
8	60488	20	Screw, 8-32 x .750 pan phil, G2	
9	28591W	1	Panel, cam lock mounting, single cam	
10	60237	20	Washer, #10 flat .495/.036	
11	60061	20	Nut, 10-32 nylock	
12	12632	2	Switch, trigger safety NO & NC	
13	28574W	2	Panel, cam lock mounting, dual cam	
14	66037	1	Conn. cam lock ml - black 400A	
15	66038	1	Conn. cam lock ml - red 400A	
16	66039	1	Conn. cam lock ml - blue 400A	
17	65554	1	Conn. cam lock ml - white 400A	
18	65555	1	Conn. cam lock ml - green 400A	

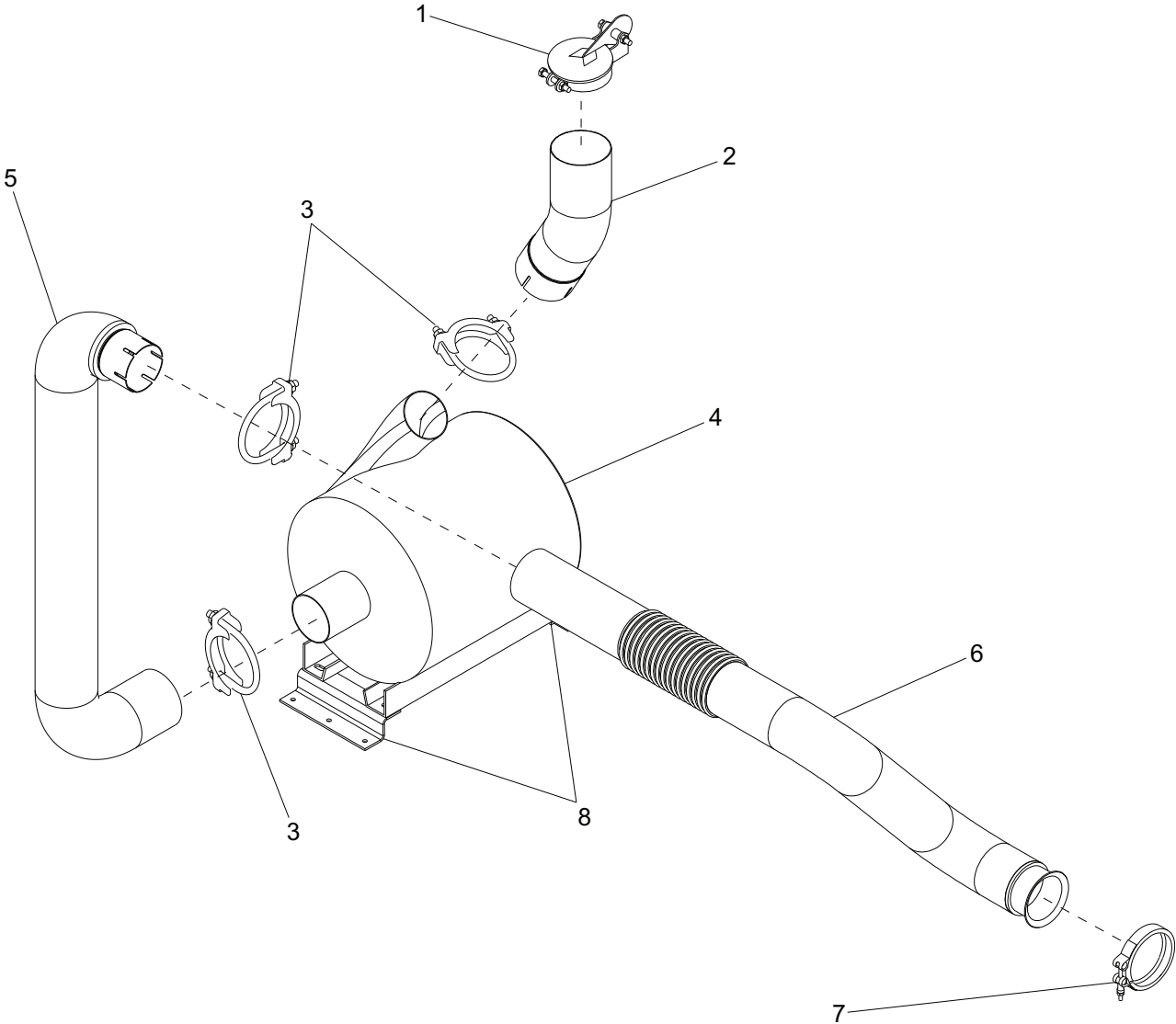
CAM LOCK DOOR ASSEMBLY OPTION



CAM LOCK DOOR ASSEMBLY OPTION

ITEM	PART NO.	QTY	DESCRIPTION	NOTES
1	60398	3	Screw, 10-32 x .500 pan phil, SS	
2	28575W	1	Panel, cam lock door	
3	22018	1	Hinge, continuous - 10.25 in	
4	61045	3	Nut, 10-32 sflg	
5	60252	2	Washer, #10 split lock	
6	60068	2	Screw, 10-24 x .500 pan phil, G2	
7	20762	1	Lock, door - 1/4 turn cam	
8	18893	1	Handle, lug door	

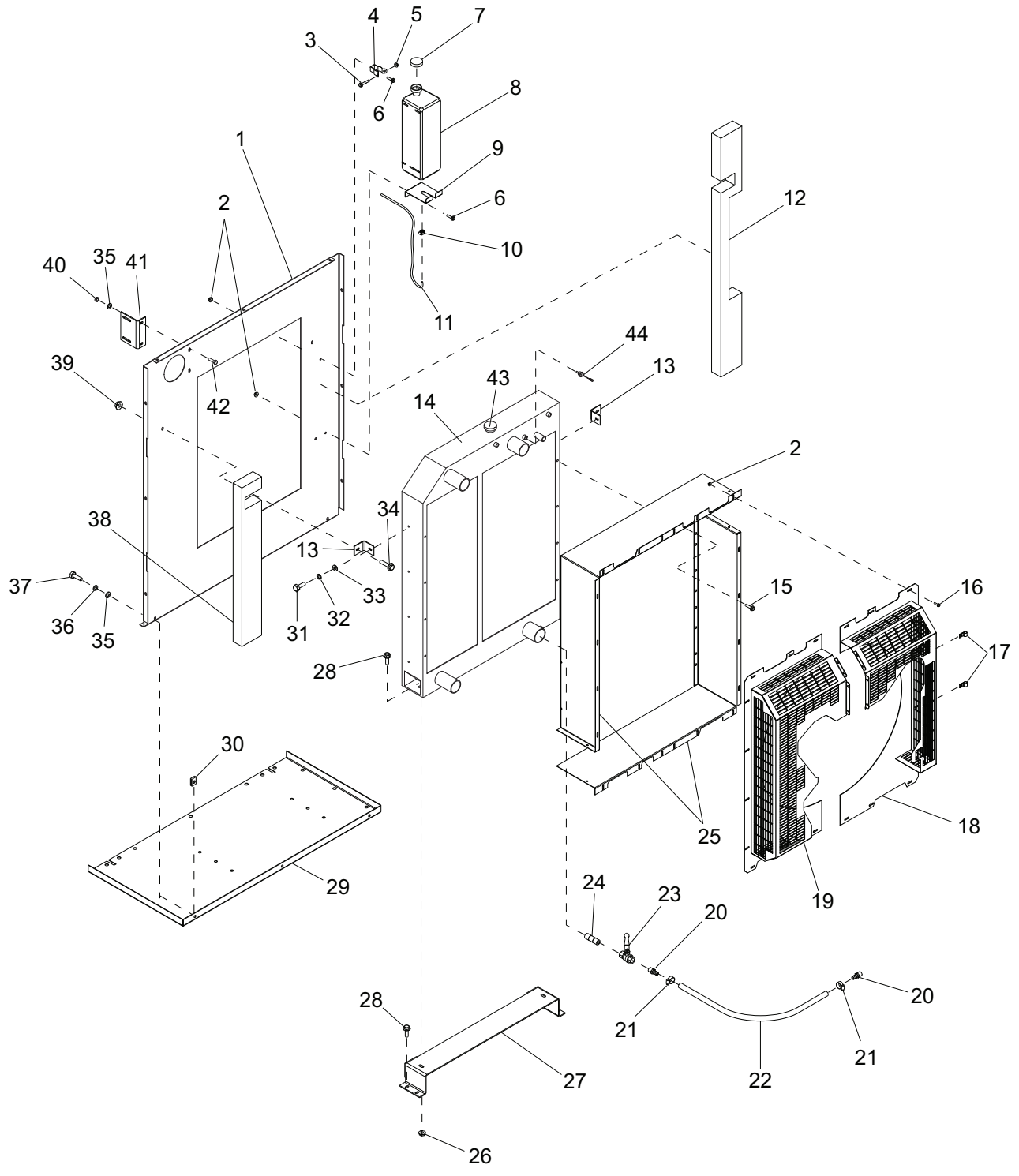
EXHAUST SYSTEM ASSEMBLY



EXHAUST SYSTEM ASSEMBLY

ITEM	PART NO.	QTY	DESCRIPTION	NOTES
1	21090	1	Cap, rain 4 in	
2	21851	1	Pipe, exhaust up - 4 in	
3	18822	3	Clamp, muffler 4 in	
4	21848	1	Muffler, 4 in	
5	22154	1	Pipe, exhaust - down	
6	30228	1	Pipe, exhaust	
7	18820	1	Clamp, V-band - 4 in	
8	21869B	2	Bracket, muffler mounting	

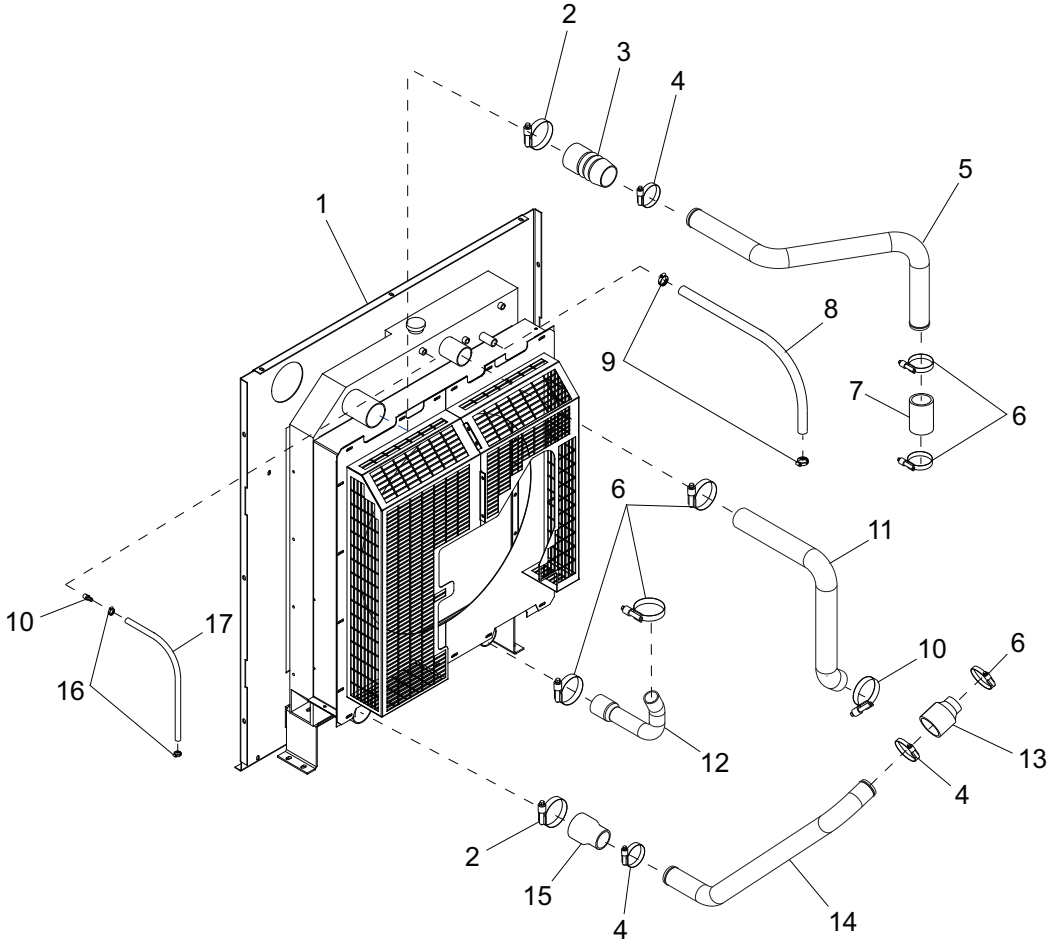
COOLING SYSTEM ASSEMBLY



COOLING SYSTEM ASSEMBLY

ITEM	PART NO.	QTY	DESCRIPTION	NOTES
1	27194B	1	Panel, bulkhead	
2	60161	24	Nut, .250-20 sflg, G5	
3	60725	1	Screw, 8-32 x 2.50 pan slot	
4	19726	1	Clamp, overflow bottle	
5	60270	1	Nut, 8-32 nylock, class 6	
6	60523	2	Screw, .250-20 x .875 hex sflg	
7	19714	1	Cap, overflow bottle	
8	20212	1	Jug, overflow (6 qt)	
9	20213B	1	Support, overflow jug	
10	14216	1	Clamp, hose - SAE 004 (.21-.62) mini	
11	19220	1	Hose, overflow	
--	20454	1	Assembly, overflow jug	Items 2-11
12	23404	1	Panel, foam - right radiator	
13	21920B	2	Bracket, upper radiator	
14	29762	1	Radiator, Tier III ver. 3	
15	60451	8	Screw, .375-16 x .625 hex flg	
16	60175	22	Screw, .250-20 x .500 sflg hex, G5	
17	60649	2	Clamp, tubing - .750	
18	30186B	1	Weldment, fan guard	
19	30187B	1	Weldment, fan guard	
20	60502	2	Fitting, strt - .500MNPT x .625 barb, brs	
21	63252	2	Clamp, hose - spring type, size 24	
22	50201	1.54 ft	Hose, coolant - .625 ID	
23	61165	1	Valve, ball 90 - .500 NPT	
24	60438	1	Nipple, pipe .500 NPT x close	
25	27810B	2	Radiator shroud	
26	60064	2	Nut, M10 hex sflg lock	
27	22236B	1	Weldment, rad support	
28	60018	6	Screw, M10 x 1.25 x 20 hex sflg	
29	22051B	1	Panel, muffler mount	
30	60505	3	Nut, .312-18 U-clip - long type	
31	60168	2	Screw, .312-18 x .750 std hex, SS	
32	60271	2	Washer, .312 split lock	
33	60119	2	Washer, .312 flat .875/.070	
34	61091	2	Screw, .312-18 x 1.0 sflg hex, G5	
35	60340	5	Washer, .312 flat	
36	60701	3	Washer, .312 split lock	
37	60507	3	Screw, .312-18 x 1.0 in. std hex, SS	
38	23403	1	Panel, foam - left radiator	
39	60095	2	Nut, .312-18 sflg	
40	60412	2	Nut, .312-18 hex, G5	
41	32811B	1	Bracket, muffler pipe support	
42	60851	2	Screw, .312-18 x 1.25 flat hex, SS	
43	19219	1	Cap, radiator	
44	65592	1	Sensor, low coolant	

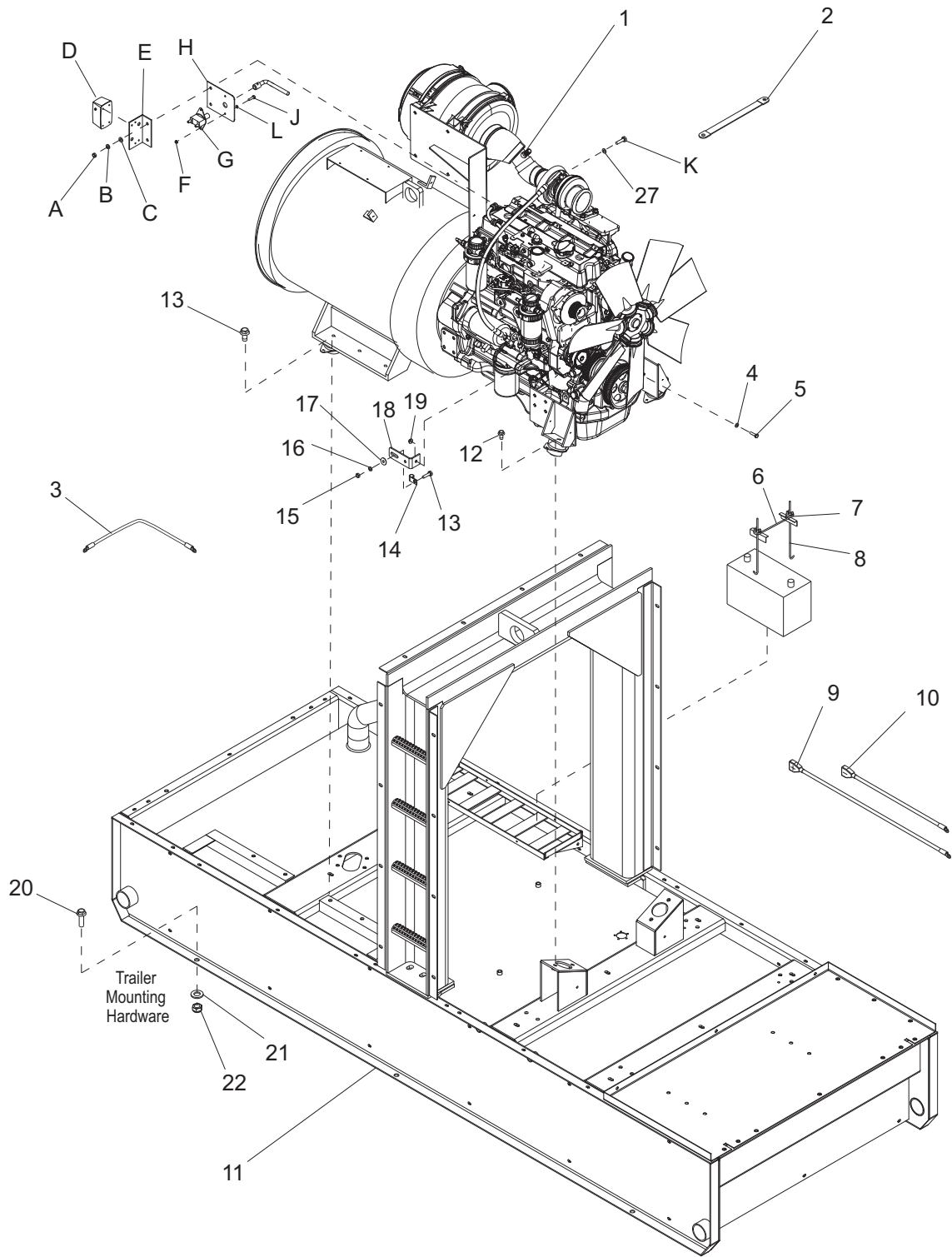
COOLING SYSTEM HOSES



COOLING SYSTEM HOSES

ITEM	PART NO.	QTY	DESCRIPTION	NOTES
1	24948	1	Assembly, radiator	
2	60664	2	Clamp, hose - const. trq. 2.75-3.625	
3	26159	1	Hose, CAC - 2 in.-3 in. x 6.5 in	
4	60666	7	Clamp, hose - const. trq. 2.25-3.125	
5	30229	1	Pipe, CAC in.	
6	60316	4	Clamp, hose - SAE 032 (1.56-2.50)	
7	28540	1	Hose, CAC - 2 in. x 4 in. long	
8	50169	3 ft	Hose, 1.0 in.	
9	62243	2	Clamp, hose - const. trq. .813-1.50	
10	60999	1	Fitting, strt .500MNPT x .312 barb, brs	
11	30227	1	Hose, radiator - upper	
12	29710	1	Hose, radiator - lower	
13	22060	1	Hose, CAC - 2 in.-2.5 in. x 4 in	
14	22456	1	Pipe, CAC out	
15	22447	1	Hose, CAC - 2.5 in.-3 in. x 5.5 in	
16	19453	2	Clamp, hose - SAE 006 (.37-.87)	
17	50017	2.5 ft	Hose, fuel - .250 ID, 50 psi	

ENGINE AND GENERATOR TO SKID ASSEMBLY



01685

ENGINE ENGINE AND GENERATOR TO SKID ASSEMBLY

ITEM	PART NO.	QTY	DESCRIPTION	NOTES
1	<i>Page 100</i>	1	Assembly, engine	
2	19042	1	Strap, ground - 10 in	
3	20268	1	Cable - assembly, grd	
4	60698	1	Washer, .375 flat, SS	
5	60831	1	Screw, .375-16 x 1.50 hex, SS	
6	14682	1	Bracket, battery hold-down	
7	60089	2	Washer, fender .265 ID 1.25 OD	
8	14146	2	Bolt, J - .250-20 x 10 in w/wing nut	
9	30239	1	Cable, battery - 48 in. red	
10	10425	1	Cable, battery - 16 in. blk	
11	<i>Page 100</i>	1	Assembly, skid	
12	60018	8	Screw, M10-1.50 x 20 sflg	
13	60507	1	Screw, .312-18 x 1.0 in. std hex, SS	
14	60716	1	Clamp, tubing - 1.50 lt duty	
15	60285	1	Nut, .312-18 hex, G2	
16	60271	1	Washer, .312 split lock	
17	60119	2	Washer, .312 flat .875/.070	
18	11131B	1	Bracket, manual holder	
19	60145	1	Nut, .375-16 sflg, G5	
20	61078	6	Screw, .625-11 x 2.0 flg hex, G8	
21	60180	6	Washer, .625 flat 1.750/.10-.16	
22	60240	6	Nut, .625-11 nylock, G5	

OPTIONAL FEATURES

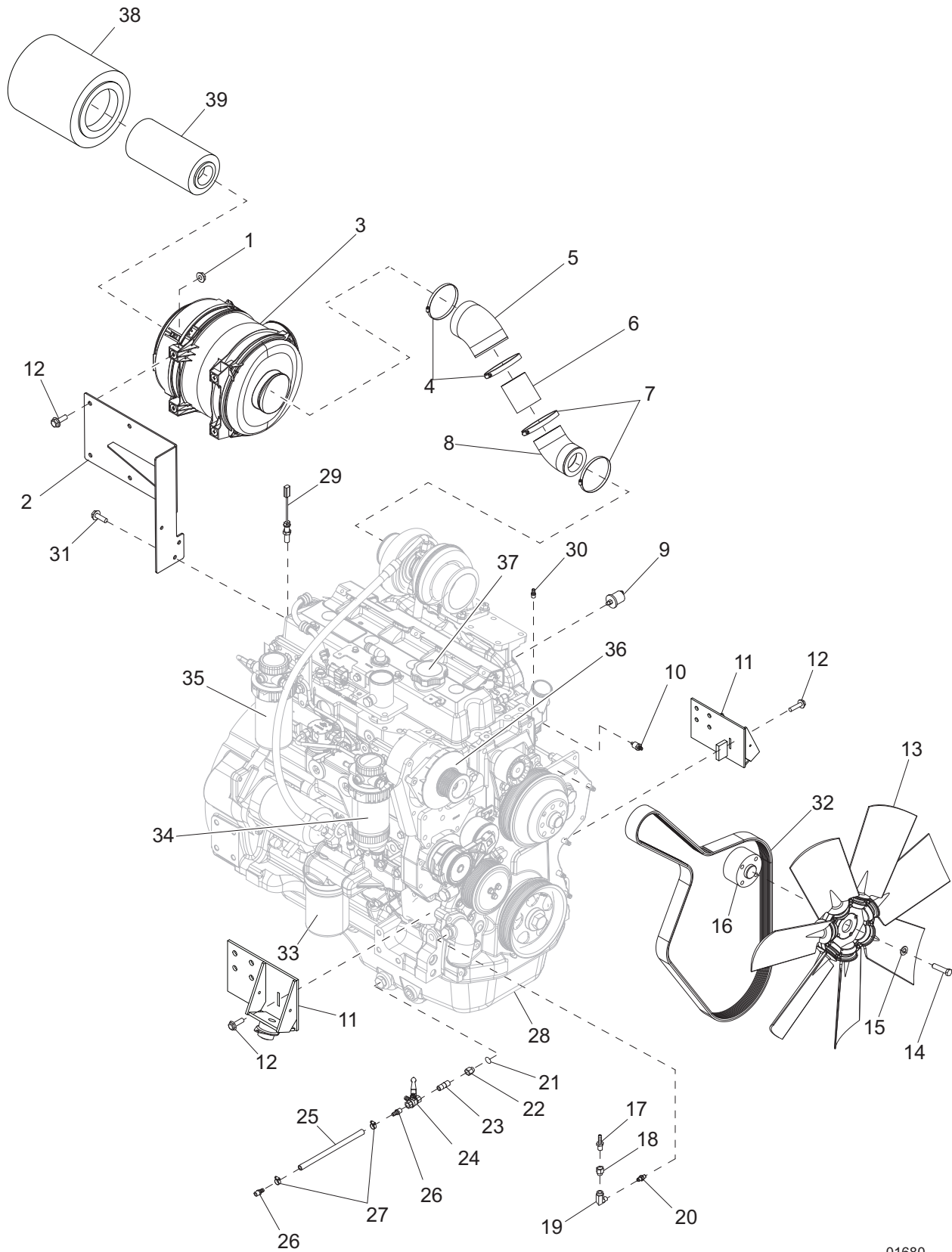
Battery Disconnect:

A	60285	2	Nut, .312-18 hex, G2
B	60271	2	Washer, .312 split lock
C	60119	4	Washer, .312 flat .875/.070
D	11947	1	Light, interior with switch
E	23528B	1	Bracket, interior light
F	60161	2	Nut, .250-20 sflg, G5
G	21489	1	Battery disconnect switch
H	21494B	1	Bracket, battery disconnect
J	60393	2	Screw, .250-20 x 1.0 std hex, G5
K	60256	2	Screw, .312-18 x 1.50 std hex, G5
L	60696	2	Washer, .250 flat, SS

Fuel Lubricity Adder:

--	23412	1	Assembly, fuel lubricity adder
--	23444B	1	Bracket, fuel lube adder

ENGINE ASSEMBLY



01680

ENGINE ASSEMBLY

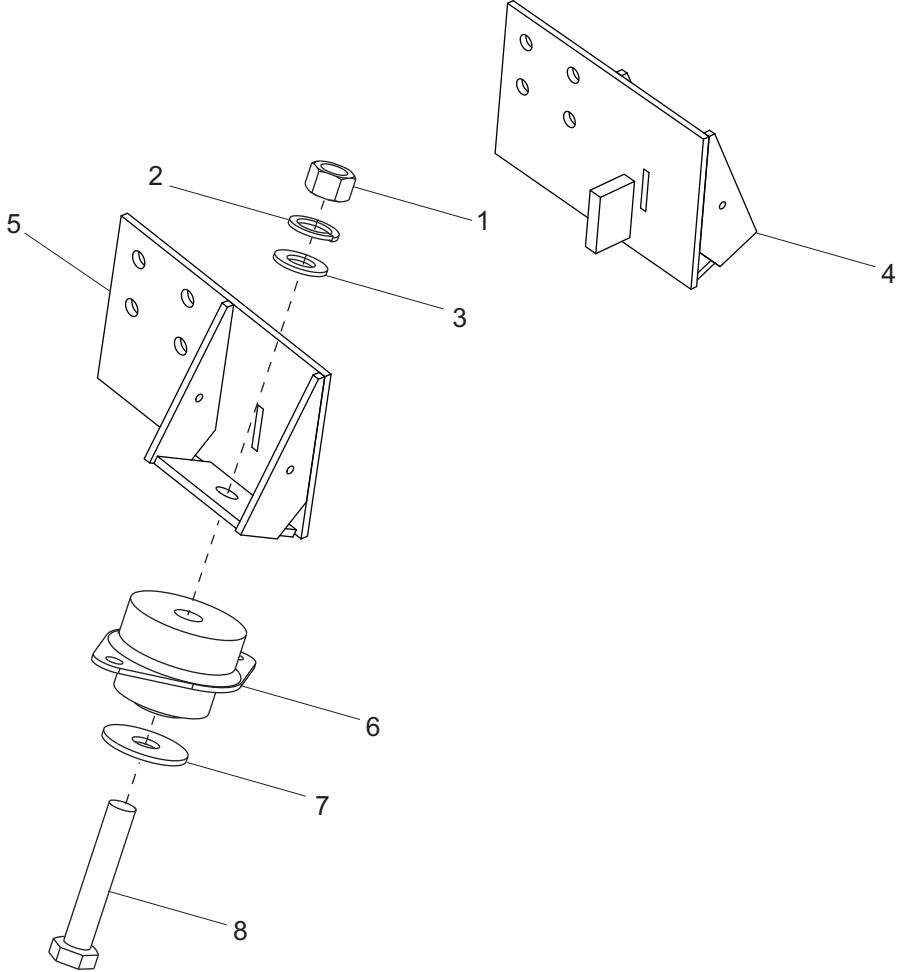
ITEM	PART NO.	QTY	DESCRIPTION	NOTES
1	60020	4	Nut, M8-1.25 sflg lock, G8.8	
2	30195B	1	Weldment, air cleaner brckt	
3	29765	1	Assembly, air filter	
4	20182	2	Clamp, hose - 4.09-6.0	
5	22225	1	Elbow, 45° molded rubber	
6	26191B	1	Tube, 4 in. steel, air filter	
7	18663	2	Clamp, hose - 3.31-4.25	
8	22286	1	Elbow, 45° molded rubber	
9	18106	1	Sensor, oil pressure	
10	18107	1	Sensor, temperature	
11	Page 70	2	Assembly, engine mount	
12	60072	6	Screw, M12-1.75 x 25 sflg hex, G10.9	
13	26156	1	Fan, engine - 28 in.	MMG150D only
14	60153	4	Screw, M10-1.50 x 80 std hex, G10.9	MMG150D only
15	60027	4	Washer, flat M10	MMG150D only
16	19524	1	Spacer, fan G50-G85	MMG150D only
17	25496	1	Fitting, strt - .750NPT x 1.0 barb, brs	
18	22461	1	Fitting, strt .500MNPT x .750 NPT	
19	22462	1	Fitting, 90° - .500FNPT x .500FNPT, brass	
20	19257	1	Fitting, strt .500MNPT x M18 O-ring seal	
21	19467	1	Seal, M22	
22	19307	1	Fitting, strt .500FNPT x M22 x 1.5 in	
23	60438	1	Nipple, pipe .500 NPT	
24	61165	1	Valve, ball .500NPTF x .50 barb	
25	50201	1.54 ft	Hose, - .625 ID	
26	60502	2	Fitting, strt - .500MNPT x .625 barb, brs	
27	60365	2	Clamp, hose - .56-1.06	
28	23977	1	Engine, Deere 4045HF485 tier III 197hp	
29	18105	1	Sensor, magnetic pickup	
30	61111	1	Fitting, M12 x1.5 .250 barb	
31	60009	2	Screw, M8-1.25 x 20 sflg hex, G8.8	
32	30252	1	Belt, fan/alternator	
33	22378	1	Filter, oil	
34	26597	1	Filter, fuel - primary	
35	26236	1	Filter, fuel - secondary	
36	22372	1	Alternator, engine	
37	22375	1	Cap, engine oil fill w/gasket	
38	30561	1	Element, air filter	
39	30562	1	Element, air filter - safety	
--	26344	--	Assembly, engine	Items 1-37

OPTIONAL FEATURES

--	Page 82	--	Assembly, Clutched fan
--	Page 84	--	Assembly, Hotstart

Note: Engine and generator parts used in all Generac Mobile Products equipment carry the Original Equipment Manufacturer (OEM) warranty unless otherwise stated. OEM warranty parts must be purchased through an OEM dealer. Please contact Generac Mobile Products with questions.

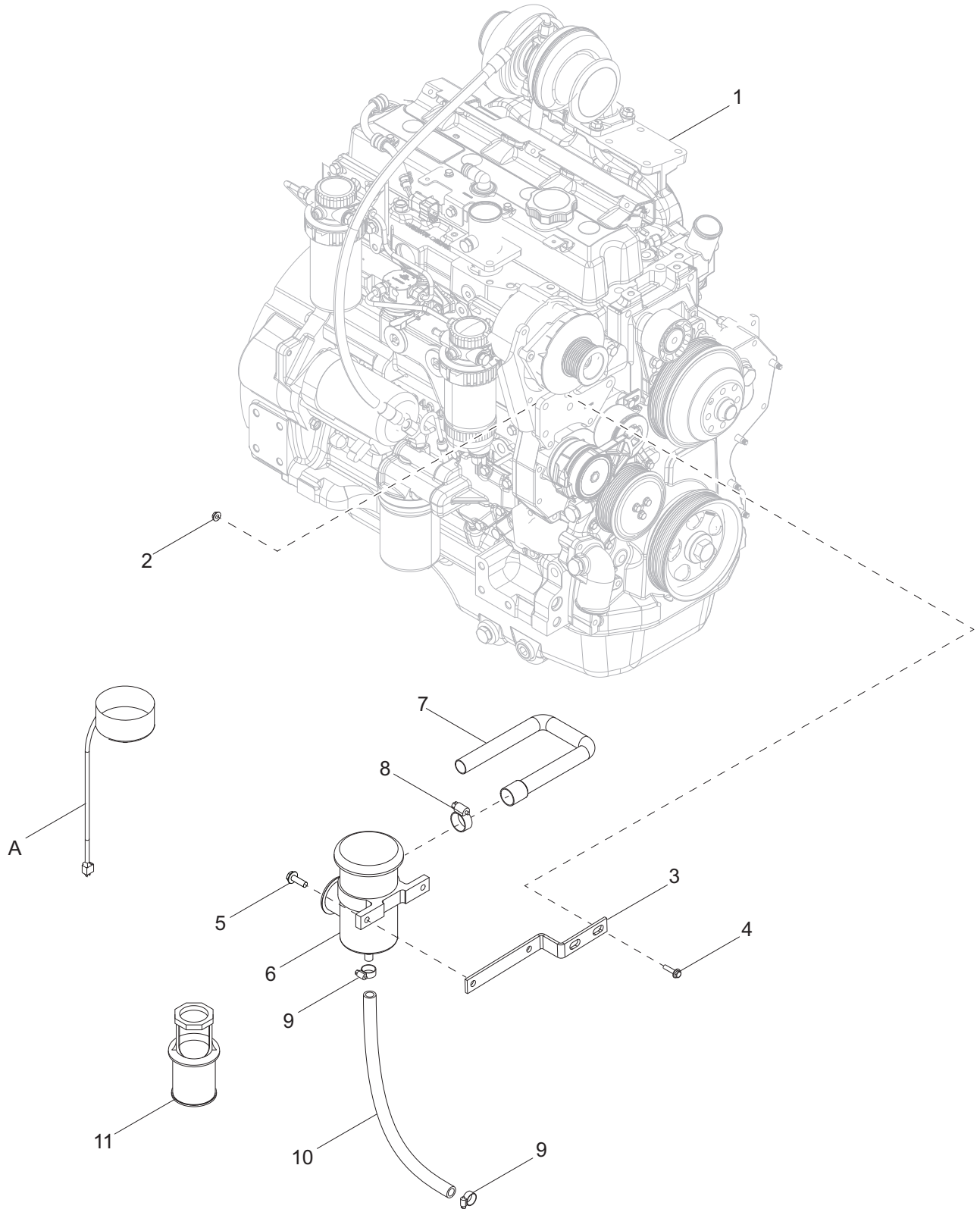
ENGINE MOUNT ASSEMBLY



ENGINE MOUNT ASSEMBLY

ITEM	PART NO.	QTY	DESCRIPTION	NOTES
1	60520	2	Nut, .625-11 hex, G8	
2	60194	2	Washer, M16 split lock	
3	60521	2	Washer, .625 flat	
4	27816B	1	Weldment, engine mount right	
5	27817B	1	Weldment, engine mount left	
6	18084	2	Isolator, rubber 840/560 lbs	
7	18086	2	Washer, .650 snub 2.250/.180	
8	60519	2	Screw, .625-11 x 3.50 std hex, G8	

OIL VAPOR RECIRCULATION SYSTEM ASSEMBLY



OIL VAPOR RECIRCULATION SYSTEM ASSEMBLY

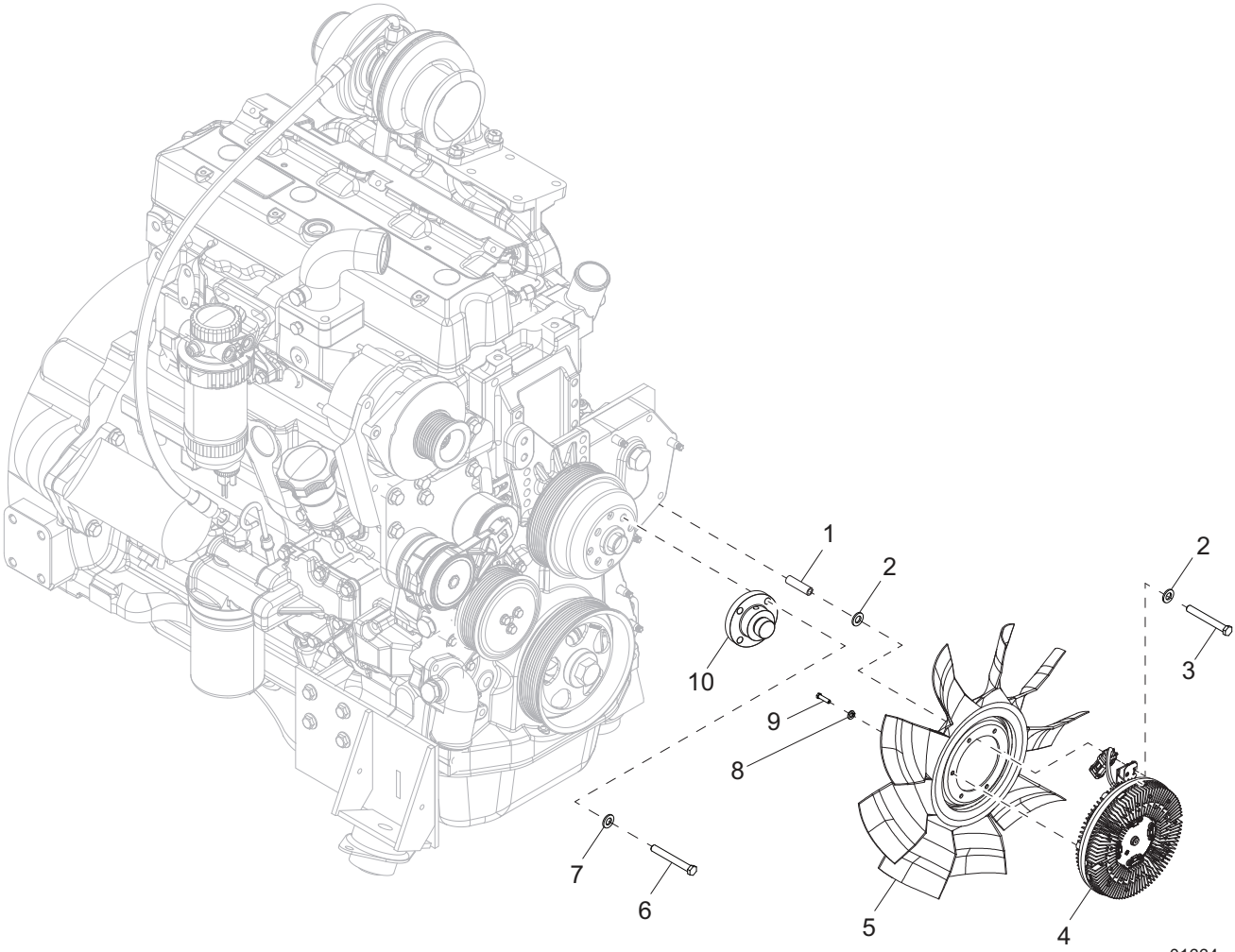
ITEM	PART NO.	QTY	DESCRIPTION	NOTES
1	<i>Page 100</i>	1	Assembly, engine	
2	60145	2	Nut, .375-16 sflg, G5	
3	30173B	1	Bracket, OCV system	
4	60087	2	Screw, M6-1.0 x 16 sflg, G8.8	
5	60160	2	Screw, M8-1.25 x 30 sflg, G8.8	
6	24318	1	Kit, oil recirculation	
7	24170	1	Hose, OCV vent	
8	19338	1	Clamp, hose - SAE 016 (.68-1.50)	
9	63252	2	Clamp, hose - spring type, size 24	
10	50051	1.66 ft	Hose, fuel - .500 ID 50 psi	
11	24552	1	Filter, oil recirculation - Pro-Vent 200	

OPTIONAL FEATURES

Oil Vapor Recovery Heater:

A	27272	1	Heater, oil vapor recovery	
---	-------	---	----------------------------	--

**CLUTCHED FAN ASSEMBLY - MMG150DCAN, MMG150DCAN6
(OPTIONAL FOR MMG150D)**

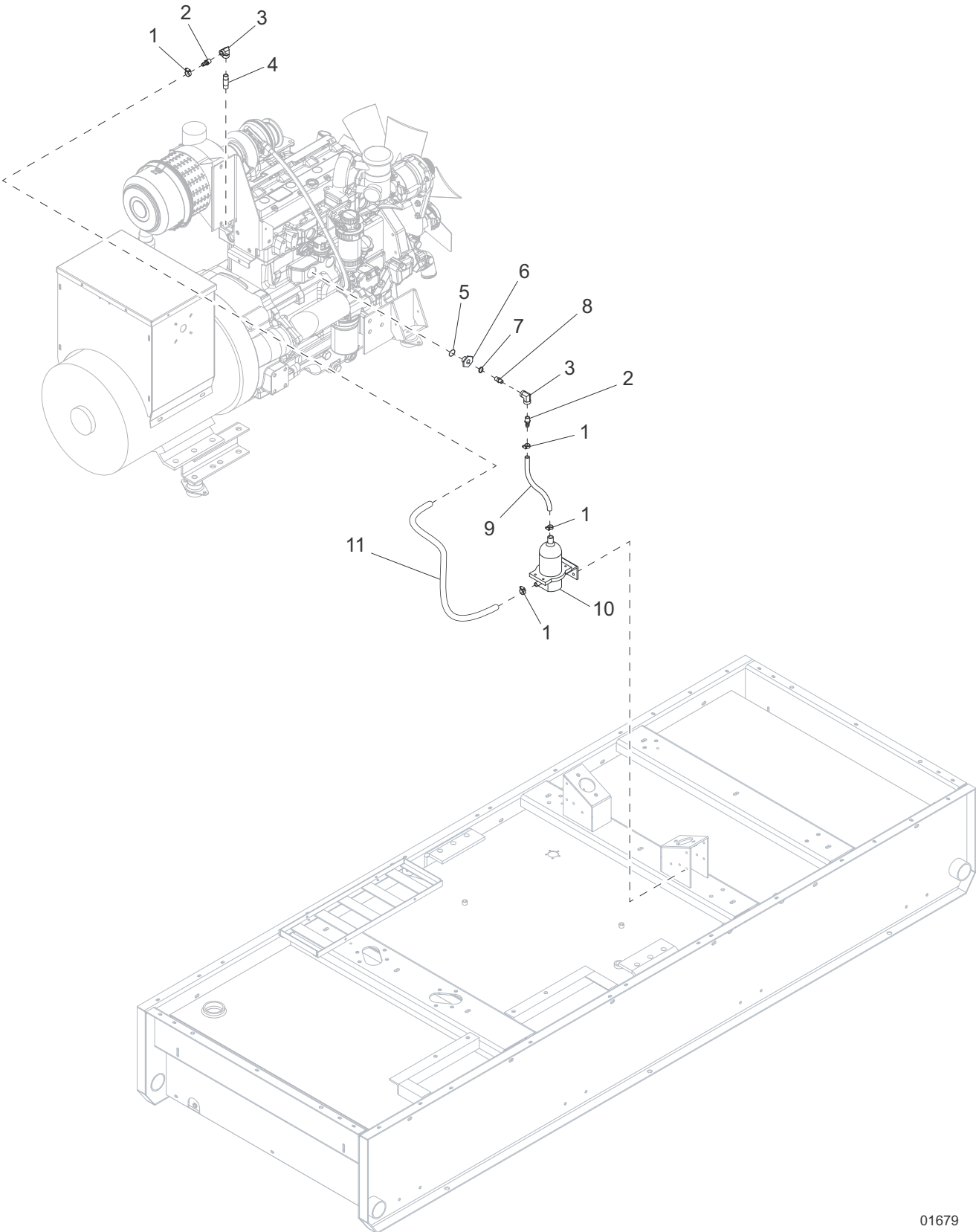


01664

**CLUTCHED FAN ASSEMBLY - MMG150DCAN, MMG150DCAN6
(OPTIONAL FOR MMG150D)**

ITEM	PART NO.	QTY	DESCRIPTION	NOTES
1	30558B	1	Spacer, .750 OD, .51 ID, 2.0 long	
2	60237	2	Washer, M10 flat	
3	60152	1	Screw, M10-1.50 x 60 std hex, G8.8	
4	30632	1	Clutch, fan - for 28.0 in. fan	
5	26156	1	Fan, engine - 28.0 in	
6	60055	4	Screw, M10-1.50 x 35 std hex, G10.9	
7	60243	4	Washer, .250 flat .735/.060	
8	60026	4	Washer, M10 split lock	
9	61204	4	Screw, M8-1.25 x 20 std hex, G10.9	
10	19524	1	Spacer, fan G50-G85 (4 hole - 1.93 lg)	
--	67863	1	Harness, clutch fan - control box	
--	66737	1	Harness, clutch fan - fan assembly	

**HOTSTART ASSEMBLY - MMG150DCAN, MMG150DCAN6
(OPTIONAL FOR MMG150D)**

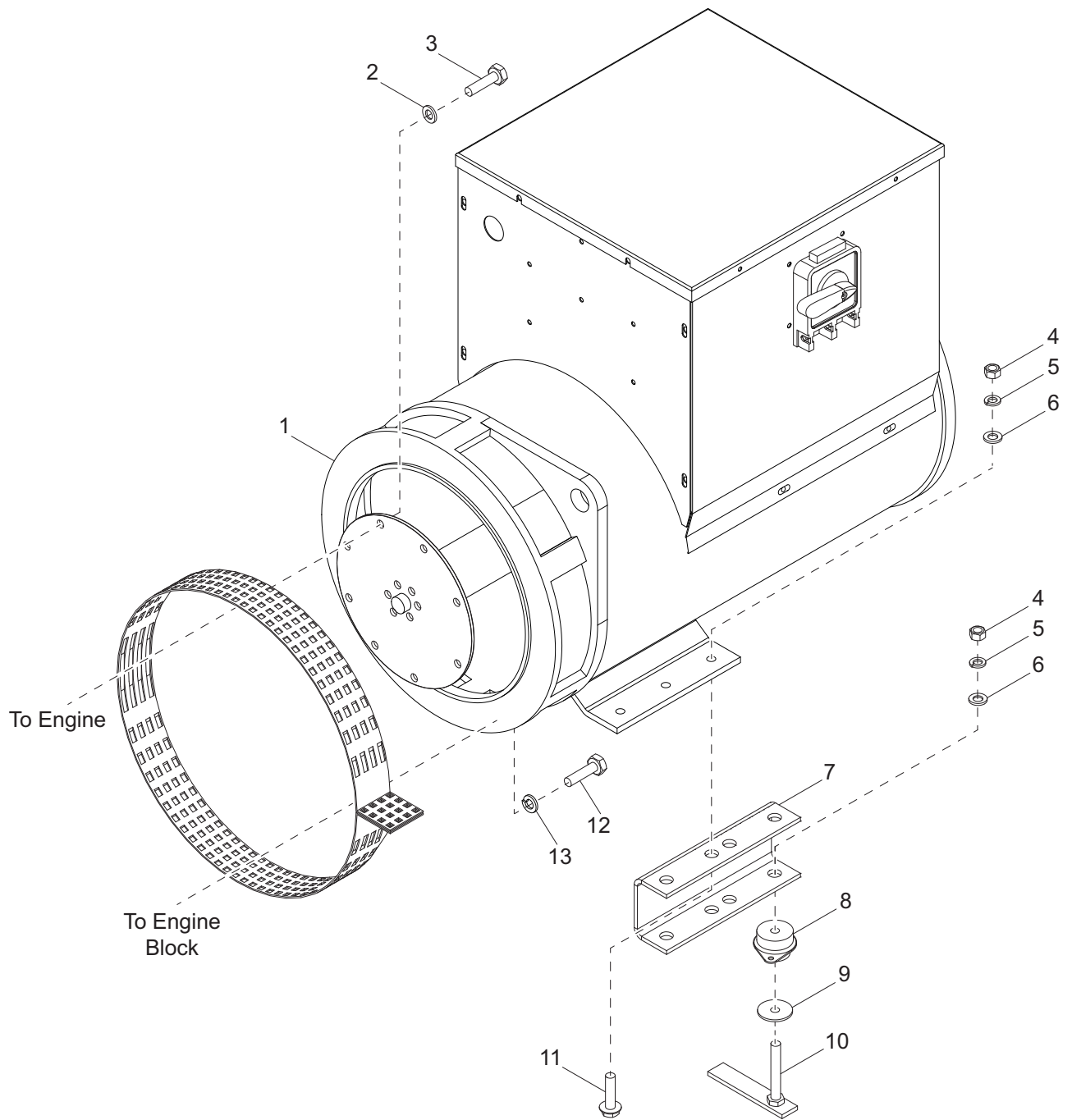


01679

**HOTSTART ASSEMBLY - MMG150DCAN, MMG150DCAN6
(OPTIONAL FOR MMG150D)**

ITEM	PART NO.	QTY	DESCRIPTION	NOTES
1	60365	4	Clamp, hose - SAE 010 (.56-1.06)	
2	60502	2	Fitting, strt - .500MNPT x .625 barb, brs	
3	22462	2	Fitting, 90° - .500FNPT x .500FNPT, brs	
4	60438	1	Fitting, pipe nipple - .500NPT x close	
5	22589	1	O-ring - 1.625 in	
6	22588	1	Fitting, strt - 1.625 O-rg sl x M18 O-rg sl	
7	19466	1	Seal, M18	
8	19257	1	Fitting, strt - .500MNPT x M18 O-ring seal	
9	50201	2 ft	Hose, .625, 200 psi, class A	
10	25938	1	Heater, coolant - 200-300 CI	
11	50201	4 ft	Hose, .625, 200 psi, class A	

GENERATOR ASSEMBLY - MMG150D, MMG150DCAN



01675

GENERATOR ASSEMBLY - MMG150D, MMG150DCAN

ITEM	PART NO.	QTY	DESCRIPTION	NOTES
1	22098	1	Generator, Marathon - 363PSL1607	
2	60151	8	Washer, .375 flat	
3	60179	8	Screw, .375-16 x .750 std hex, G8	
4	60520	6	Nut, .625-11 hex, G8	
5	60194	6	Washer, M16 split lock	
6	60193	6	Washer, M16 flat	
7	27812B	2	Bracket, generator mount spacer	
8	18084	2	Isolator, rubber - 840/560 lbs	
9	18086	2	Washer, .650 snubber 2.250/.180	
10	27168B	2	Anti-turn bolt .625 x 4.0	
11	61078	4	Screw, .625-11 x 2.0 flg hex, G8	
12	60055	12	Screw, M10-1.50 x 35 std hex, G10.9	
13	60026	12	Washer, M10 split lock	

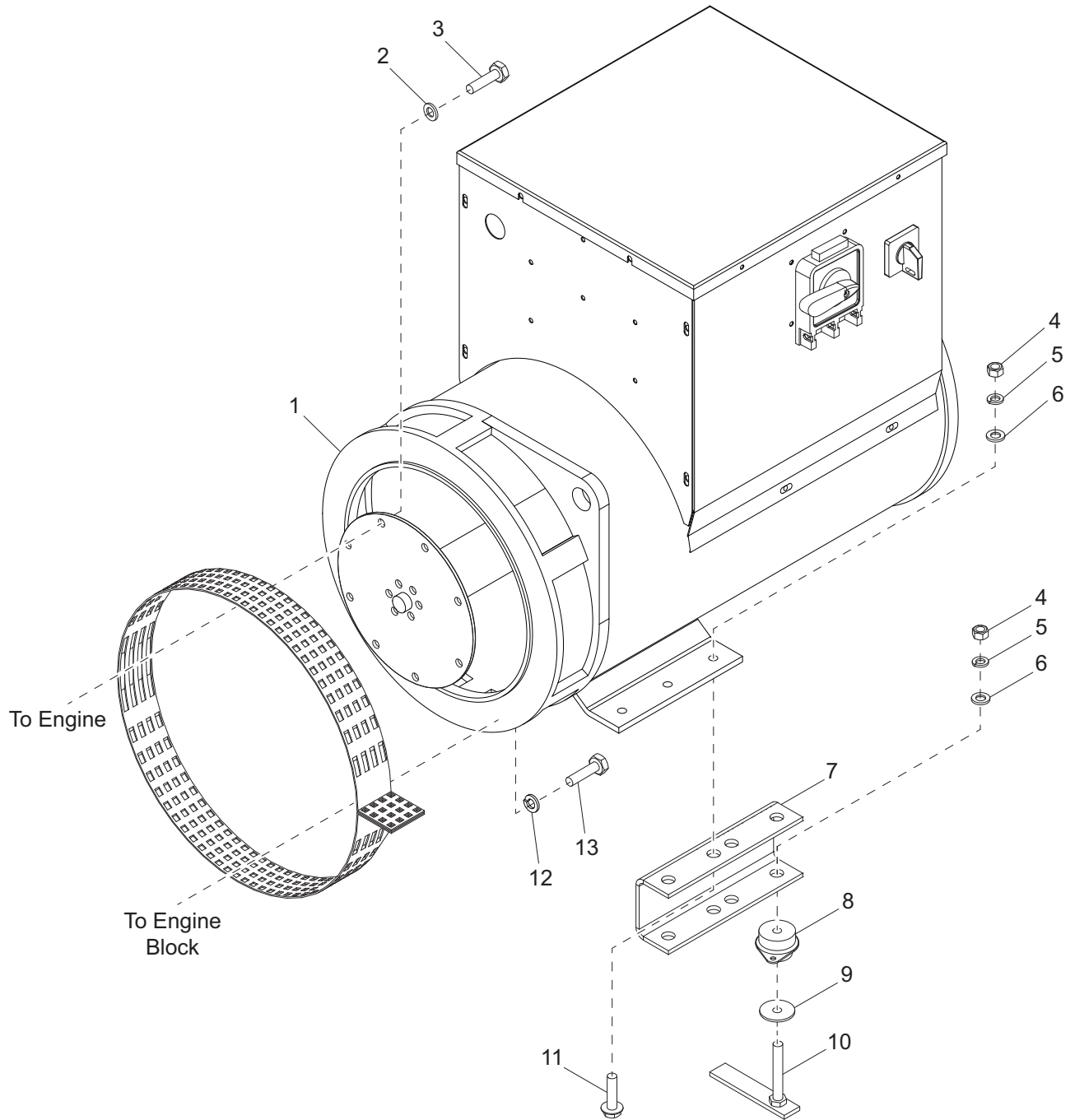
OPTIONAL FEATURES

Super Start:

--	23165	1	Generator, 432PSL6210	
----	-------	---	-----------------------	--

Note: Engine and generator parts used in all Generac Mobile Products equipment carry the Original Equipment Manufacturer (OEM) warranty unless otherwise stated. OEM warranty parts must be purchased through an OEM dealer. Please contact Generac Mobile Products with questions.

GENERATOR ASSEMBLY - MMG150DCAN6



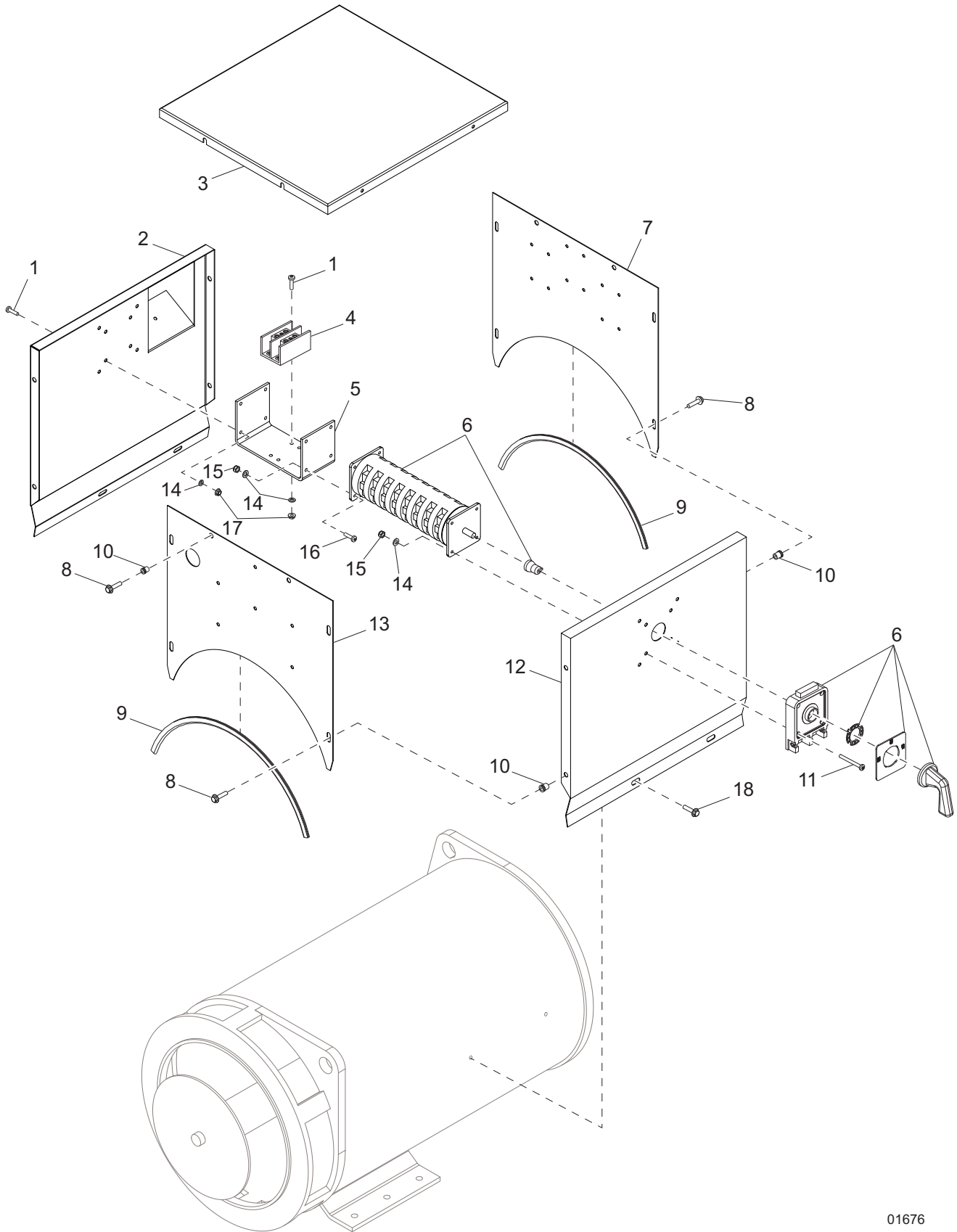
01621

GENERATOR ASSEMBLY - MMG150DCAN6

ITEM	PART NO.	QTY	DESCRIPTION	NOTES
1	34206	1	Generator, Marathon - 362PSL1668	
2	60151	12	Washer, .375 flat	
3	60179	12	Screw, .375-16 x .750 std hex, G8	
4	60520	6	Nut, .625-11 hex, G8	
5	60194	6	Washer, M16 split lock	
6	60521	6	Washer, .625 flat	
7	27812B	2	Bracket, generator mount spacer	
8	18084	2	Isolator, rubber - 840/560 lbs	
9	18086	2	Washer, .650 snubber 2.250/.180	
10	27168	2	Weldment, anti-turn bolt .625 x 4.0 in	
11	60994	4	Screw, .625-11 x 1.50 flg hex, G8	
12	60026	12	Washer, M10 split lock	
13	60055	12	Screw, M10-1.50 x 35 std hex, G10.9	

Note: Engine and generator parts used in all Generac Mobile Products equipment carry the Original Equipment Manufacturer (OEM) warranty unless otherwise stated. OEM warranty parts must be purchased through an OEM dealer. Please contact Generac Mobile Products with questions.

GENERATOR BOX ASSEMBLY - STD GEN, 3 POSITION - MMG150D, MMG150DCAN

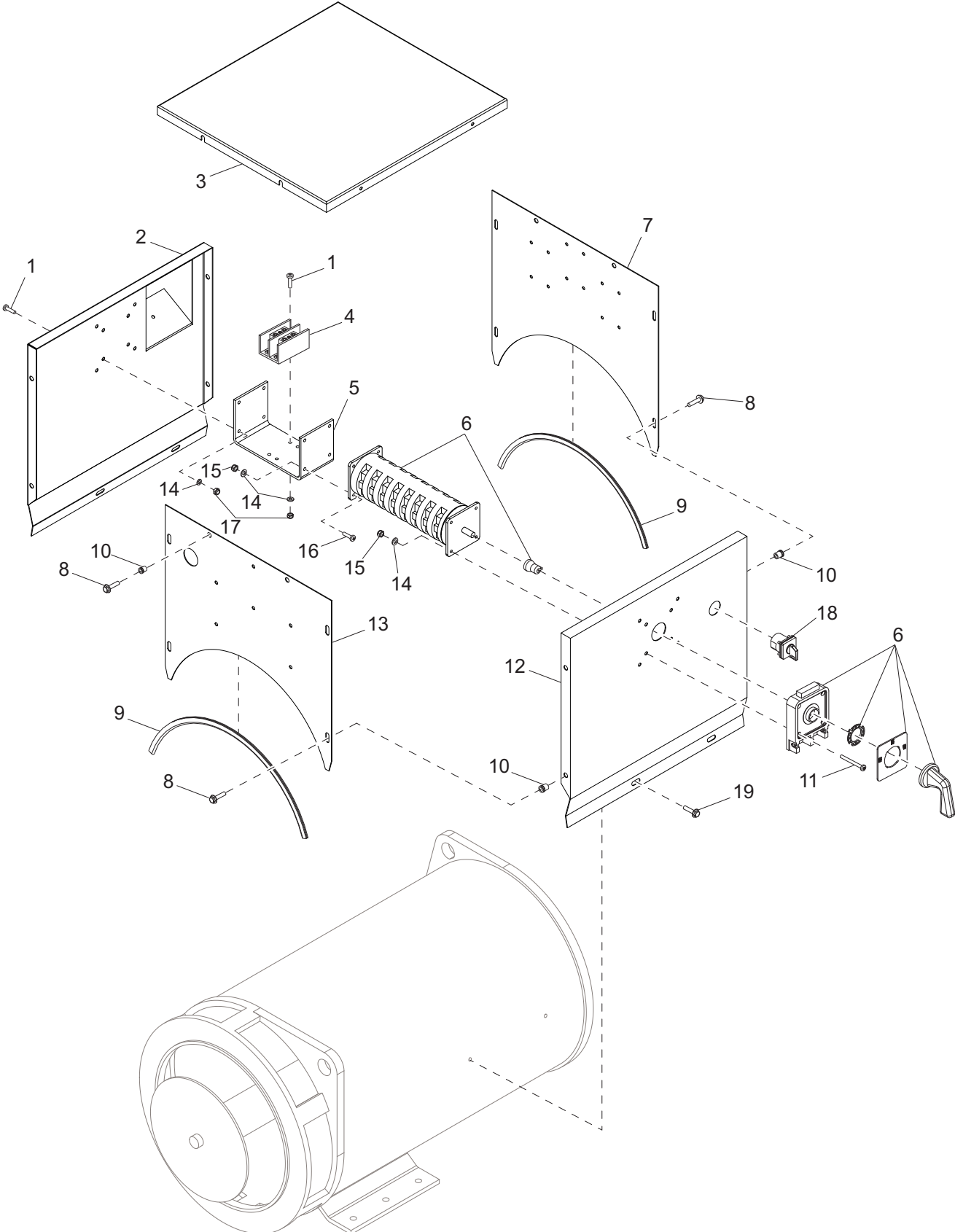


01676

GENERATOR BOX ASSEMBLY - STD GEN, 3 POSITION - MMG150D, MMG150DCAN

ITEM	PART NO.	QTY	DESCRIPTION	NOTES
1	60062	8	Screw, 10-32 x .750 pan phil, G2	
2	22288B	1	Panel, generator box - right	
3	19761B	1	Panel, generator box - top	
4	65165	1	Block , terminal - 2 pole	
5	19772B	1	Bracket, phase switch	
6	18103	1	Switch, phase - 315A, 3 pos. (Y,y,Z)	
7	18769B	1	Panel, generator box - rear	
8	60528	12	Screw, .250-20 x .625 sflg hex, G5	
9	19046	2	Seal, generator box	
10	62132	12	Insert, threaded .250-20 splined	
11	60533	4	Screw, 10-24 x 1.50 pan phil, G2	
12	19776B	1	Panel, generator box - left	
13	22287B	1	Panel, generator box - front	
14	60237	16	Washer, #10 flat .495/.036	
15	60457	8	Nut, 10-24 nylock, G2	
16	60850	4	Screw, 10-24 x .750 pan phil, G2	
17	61045	8	Nut, 10-32 sflg	
18	60115	12	Screw, M6-1.0 x 12 sflg hex, G8.8	
--	22448	1	Assembly, generator box	Items 1-17
--	60618	1	Wire group, 3 pos. AC cables	
--	61179	1	Wire group, 3 pos. phase sw jumpers	

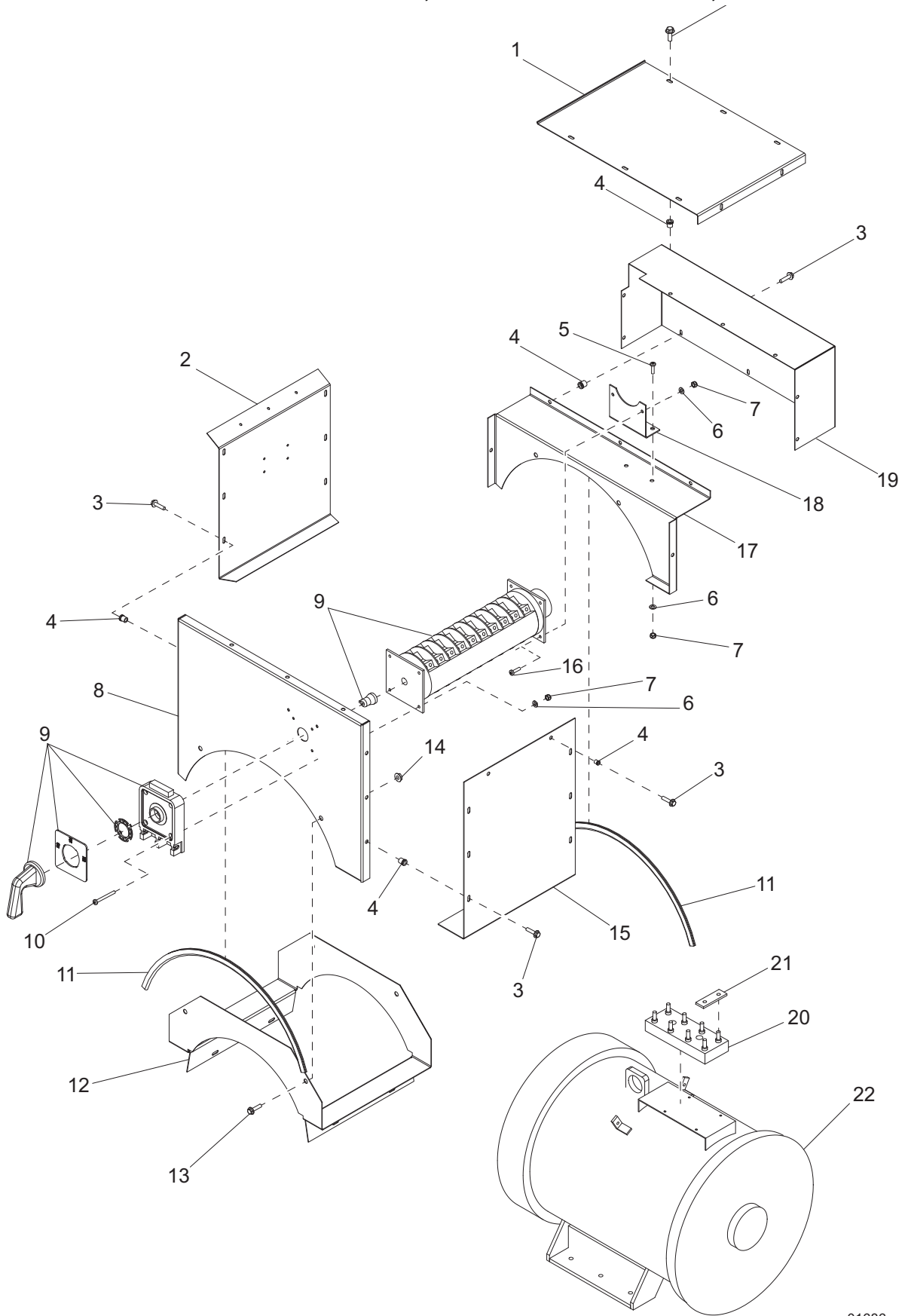
GENERATOR BOX ASSEMBLY - STD GEN, 3 POSITION - MMG150DCAN6



GENERATOR BOX ASSEMBLY - STD GEN, 3 POSITION - MMG150DCAN6

ITEM	PART NO.	QTY	DESCRIPTION	NOTES
1	60062	8	Screw, 10-32 x .750 pan phil, G2	
2	22288B	1	Panel, generator box - right	
3	19761B	1	Panel, generator box - top	
4	19368	1	Block, terminal, 2-pole lug type, 2/0	
5	18486B	1	Bracket, phase switch	
6	18102	1	Switch, phase - 200A, 3 pos. (Y,y,Z)	
7	18769B	1	Panel, generator box - rear	
8	60528	12	Screw, .250-20 x .625 sflg hex, G5	
9	20258	2	Seal, generator box	
10	62132	12	Insert, threaded .250-20 splined - .027-.165 grip	
11	60533	4	Screw, 10-24 x 1.50 pan phil, G2	
12	34285	1	Panel, generator box - left	
13	22287B	1	Panel, generator box - front	
14	60237	16	Washer, #10 flat .495/.036	
15	60457	8	Nut, 10-24 nylock, G2	
16	60850	4	Screw, 10-24 x .750 pan phil, G2	
17	61045	8	Nut, 10-32 sflg	
18	67092	1	Switch, phase - 2 pos. lockable, 300V	
19	60115	4	Screw, M6-1.0 x 12 sflg hex, G8.8	
--	34221	1	Assembly, generator box	Items 1-18
--	60618	1	Wire group, 3 pos. AC cables	
--	61179	1	Wire group, 3 pos. phase sw jumpers	
--	34500	1	Decal, voltage selector switch - 600	

GENERATOR BOX ASSEMBLY - STD GEN, 4 POSITION - MMG150D, MMG150DCAN

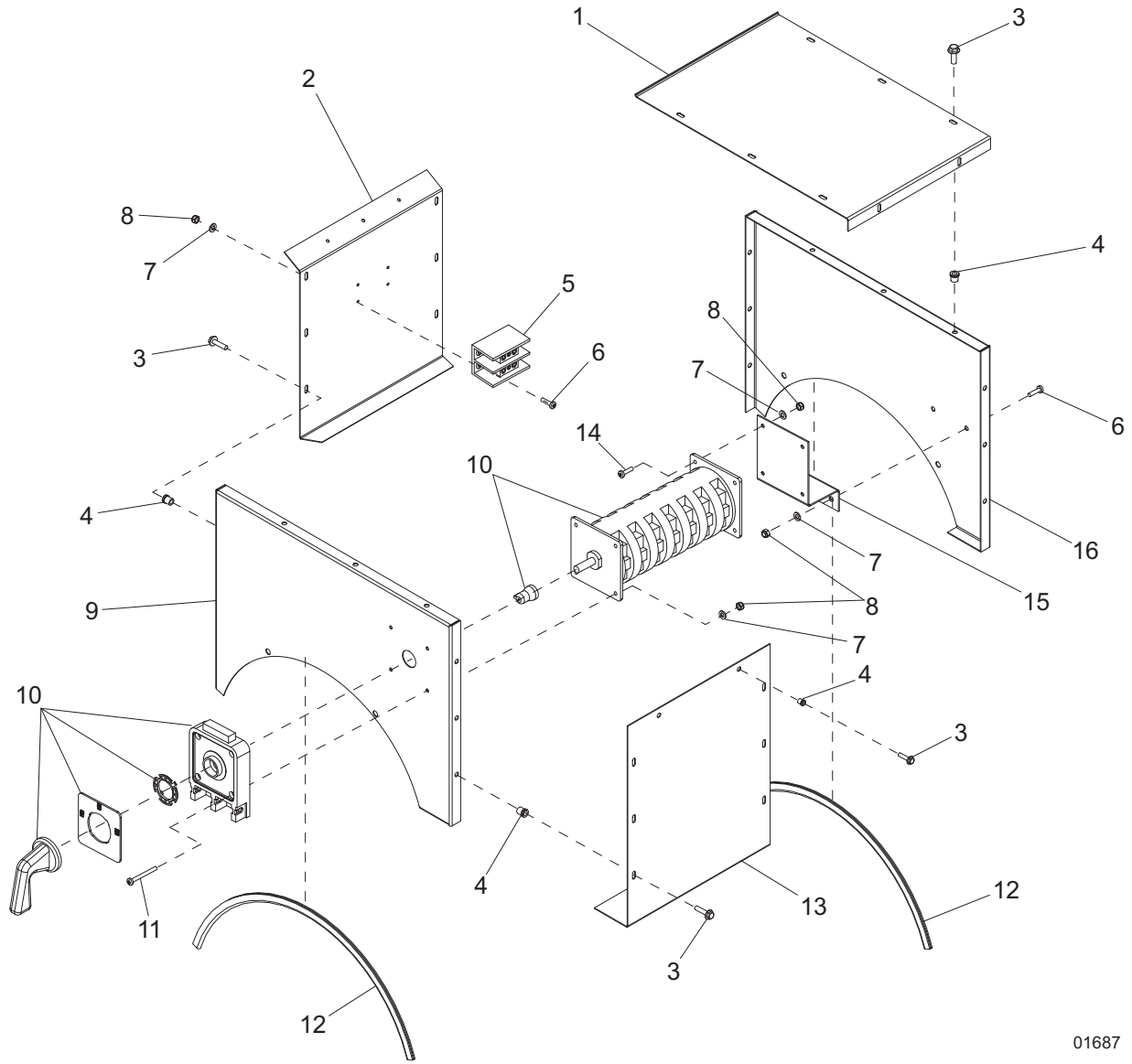


01686

GENERATOR BOX ASSEMBLY - STD GEN, 4 POSITION - MMG150D, MMG150DCAN

ITEM	PART NO.	QTY	DESCRIPTION	NOTES
1	22243B	1	Panel, generator box top	
2	22241B	1	Panel, generator box right	
3	60115	23	Screw, M6-1.0 x 12 sflg hex, G8.8	
4	60023	23	Insert, M6 threaded	
5	60156	2	Screw, M5-0.80 x 16 pan phil, G4.8	
6	60041	8	Washer, M5 flat	
7	60038	8	Nut, M5 nylock	
8	22239B	1	Panel, generator box front	
9	65688	1	Switch, phase - 315A, 4 pos	
10	60167	4	Screw, M5-0.80 x 35 pan phil, G4.8	
11	19046	2	Seal, generator box	
12	26267B	1	Panel, generator box adapter	
13	60451	4	Screw, .375-16 x .625 hex flg	
14	60145	4	Nut, .375-16 sflg, G5	
15	22240B	1	Panel, generator box left	
16	60037	2	Screw, M5-0.80 x 20 pan phil, G4.8	
17	23730B	1	Panel, generator box rear	
18	28595B	1	Bracket, phase switch	
19	23731B	1	Box, rear generator extension	
20	65740	1	Lug block, 4 pos	
21	18935	4	Lug, switch extension terminal	
22	22098	1	Generator, 363PSL1607	

GENERATOR BOX ASSEMBLY - SS GEN, 3 POSITION - MMG150D, MMG150DCAN

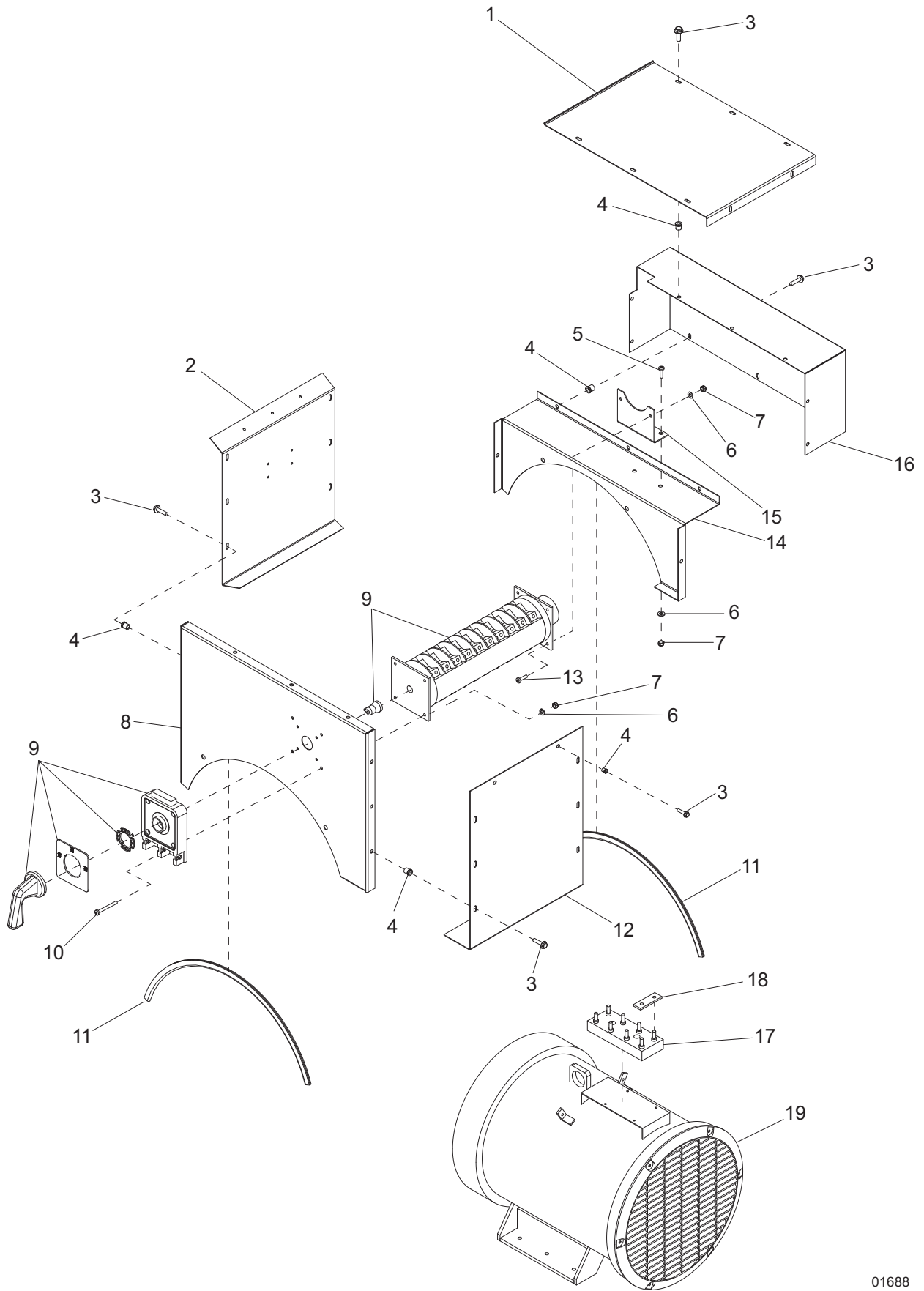


01687

GENERATOR BOX ASSEMBLY - SS GEN, 3 POSITION - MMG150D, MMG150DCAN

ITEM	PART NO.	QTY	DESCRIPTION	NOTES
1	22243B	1	Panel, generator box top	
2	22241B	1	Panel, generator box right	
3	60115	20	Screw, M6-1.0 x 12 sflg hex, G8.8	
4	60023	20	Insert, M6 threaded	
5	65165	1	Block , terminal - 2 pole	
6	60156	6	Screw, M5-0.80 x 16 pan phil, G4.8	
7	60041	14	Washer, flat M5	
8	60038	14	Nut, M5 hex nylock	
9	22239B	1	Panel, generator box front	
10	18103	1	Switch, phase - 315A, 3 pos	
11	60167	4	Screw, M5-0.80 x 35 pan phil, G4.8	
12	19046	2	Seal, generator box	
13	22240B	1	Panel, generator box left	
14	60037	4	Screw, M5-0.80 x 20 pan phil, G4.8	
15	20178B	1	Bracket, phase switch	
16	22242B	1	Panel, generator box rear	

GENERATOR BOX ASSEMBLY - SS GEN, 4 POSITION - MMG150D, MMG150DCAN

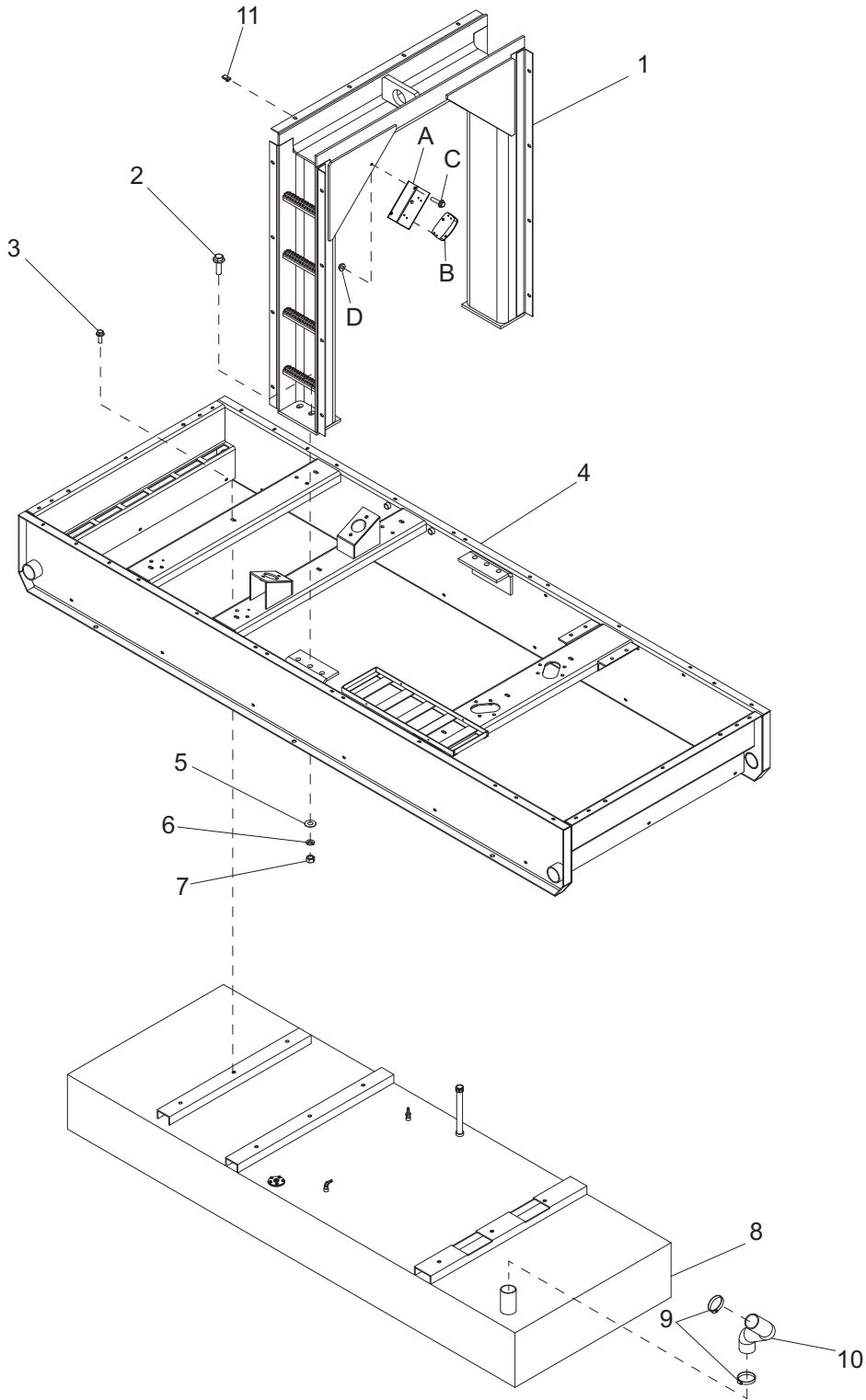


01688

GENERATOR BOX ASSEMBLY - SS GEN, 4 POSITION - MMG150D, MMG150DCAN

ITEM	PART NO.	QTY	DESCRIPTION	NOTES
1	22243B	1	Panel, generator box top	
2	22241B	1	Panel, generator box right	
3	60115	23	Screw, M6-1.0 x 12 sflg hex, G8.8	
4	60023	23	Insert, M6 threaded	
5	60156	6	Screw, M5-0.80 x 16 pan phil, G4.8	
6	60041	12	Washer, flat M5	
7	60038	12	Nut, M5 hex nylock	
8	22239B	1	Panel, generator box front	
9	65688	1	Switch, phase - 315A, 4 pos	
10	60167	4	Screw, M5-0.80 x 35 pan phil, G4.8	
11	19046	2	Seal, generator box	
12	22240B	1	Panel, generator box left	
13	60037	2	Screw, M5-0.80 x 20 pan phil, G4.8	
14	23730B	1	Panel, generator box rear	
15	28595B	1	Bracket, phase switch	
16	23731B	1	Box, rear generator extension	
17	65740	1	Lug block, 4 pos	
18	18935	4	Lug, switch ext. terminal	

FUEL TANK AND SKID ASSEMBLY



01689

FUEL TANK AND SKID ASSEMBLY

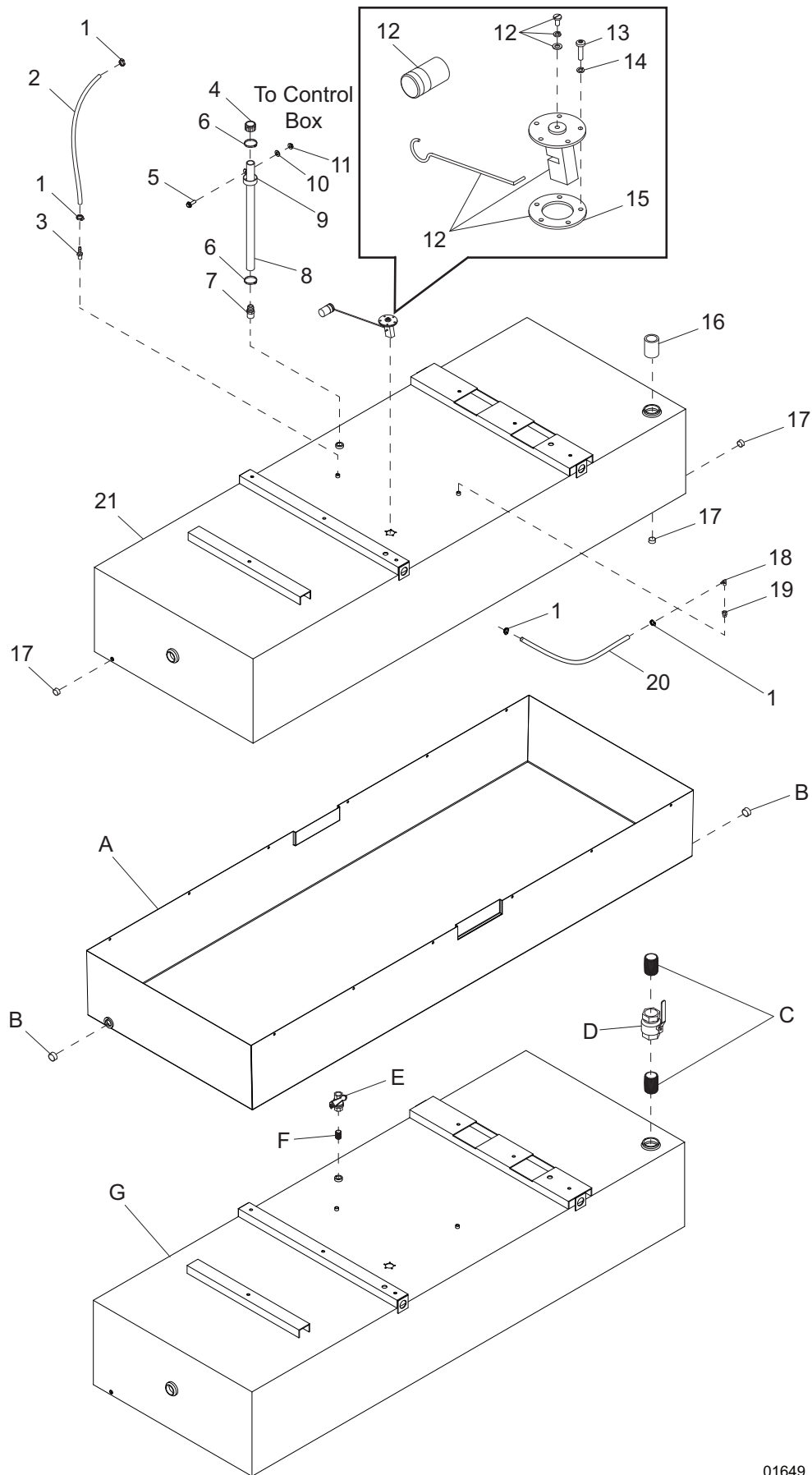
ITEM	PART NO.	QTY	DESCRIPTION	NOTES
1	22082B	1	Weldment, lift structure	
2	60508	6	Screw, .750-10 x 2.0 flg hex, G8	
3	63111	6	Screw, .750-10 x 2.25 flg hex, G8	
4	22106B	1	Weldment, skid	
5	60081	6	Washer, M20 flat	
6	60248	6	Washer, .750 split lock	
7	60249	6	Nut, .750-10 hex, G8	
8	Page 102	1	Assembly, fuel tank	MMG150D
	Page 104	1	Assembly, fuel tank	MMG150DCAN, MMG150DCAN6
9	19336	2	Clamp, hose - 2.31-3.25	
10	18301	1	Hose, fuel fill	
11	60505	24	Nut, .312-18 U-clip - long type	

OPTIONAL FEATURES

Interior Lights:

A	23528B	1	Bracket, interior light
B	11947	1	Light, interior with switch
C	61091	1	Screw, .312-18 x 1.0 sflg hex, G5
D	60095	1	Nut, .312-18 sflg
--	60445	4	Screw, M5-0.80 x 16 pan phil, SS
--	60447	4	Nut, M5-0.80 nylock, SS
--	65932	1	Harness, light option

FUEL TANK ASSEMBLY - MMG15D



01649

FUEL TANK ASSEMBLY - MMG150D

ITEM	PART NO.	QTY	DESCRIPTION	NOTES
1	63250	4	Clamp, hose - size 16, spring type	
2	50018	2.33 ft	Hose, fuel - .312 ID, 50psi, SAE 30R7	
--	50023	6 ft	Loom, wire - .625	
3	19180	1	Fitting, strt - .375MNPT x .312 barb	
4	26379	1	Vent, plastic fuel - 1.0 in	
5	61091	1	Screw, .312-18 x 1.0 sflg hex, G5	
6	63254	2	Clamp, hose - size 35, spring type	
7	21451	1	Fitting, strt - 1.0MNPT x 1.0 barb	
8	50019	4.16 ft	Hose, fuel - 1.0 ID, SAE 20R3	
9	60716	1	Clamp, tubing - 1.50 lt duty	
10	60119	1	Washer, .312 flat .875/.070	
11	60095	1	Nut, .312-18 sflg	
12	20571	1	Sender, fuel - 10-15 in. tank	
13	60062	5	Screw, 10-32 x .750 pan phil, G2	
14	60252	5	Washer, #10 split lock	
15	22323	1	Gasket, fuel sending unit	
16	19778	1	Fitting, pipe nipple - 2.0NPT x 4.0	
17	18394	3	Fitting, plug - .500NPT x internal hex	
18	15693	1	Fitting, 90° - .250NPT x .312 barb, brs	
19	16270	1	Fitting, strt - .375MNPT x .250FNPT	
20	50018	3.58 ft	Hose, fuel - .312 ID, 50psi, SAE 30R7	
21	22104B	1	Tank, fuel - 350 gal	

OPTIONAL FEATURES

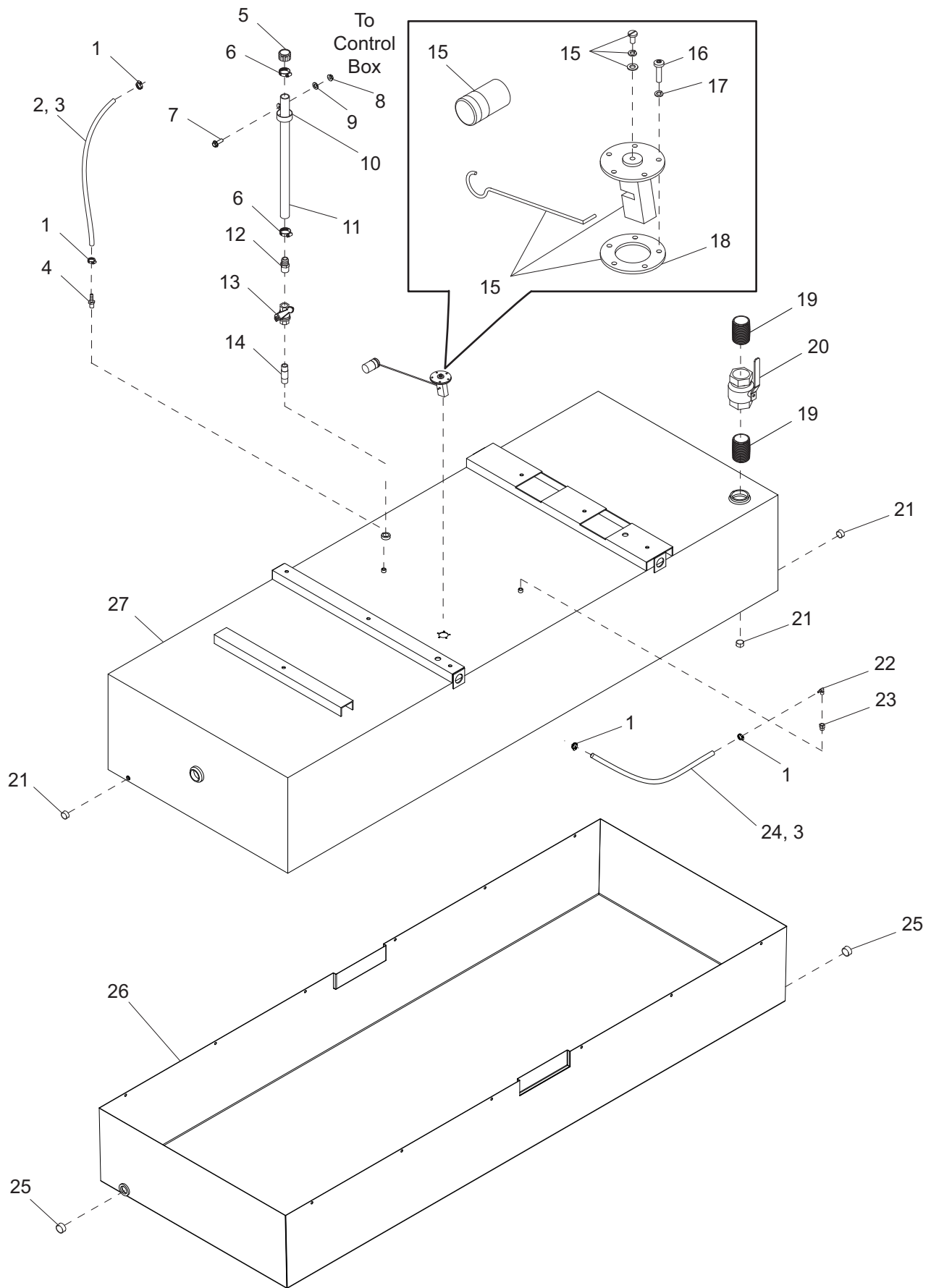
Containment:

A	23683B	1	Weldment, containment pan - 15.75 in
B	65636	2	Fitting, plug - 1.0NPT fish mnt w/hex soc
--	60507	12	Screw, .312-18 x 1.0 in. std hex, SS
--	60452	12	Washer, .313 flat 1.125/1.0 bndd rbbr, SS
--	60505	12	Nut, .312-18 U-clip - long type

TC Rated Tank:

C	21127	1	Fitting, pipe nipple - 2.0NPT x close
D	40229	1	Valve, ball - 2.0NPT, female
E	40230	1	Valve, ball - 1.0NPT, female
F	40276	1	Fitting, pipe nipple - 1.0NPT x close
G	30052B	1	Tank, fuel - 350 gal, UN31A rated
--	30175	1	Decal, UN31A tank caution

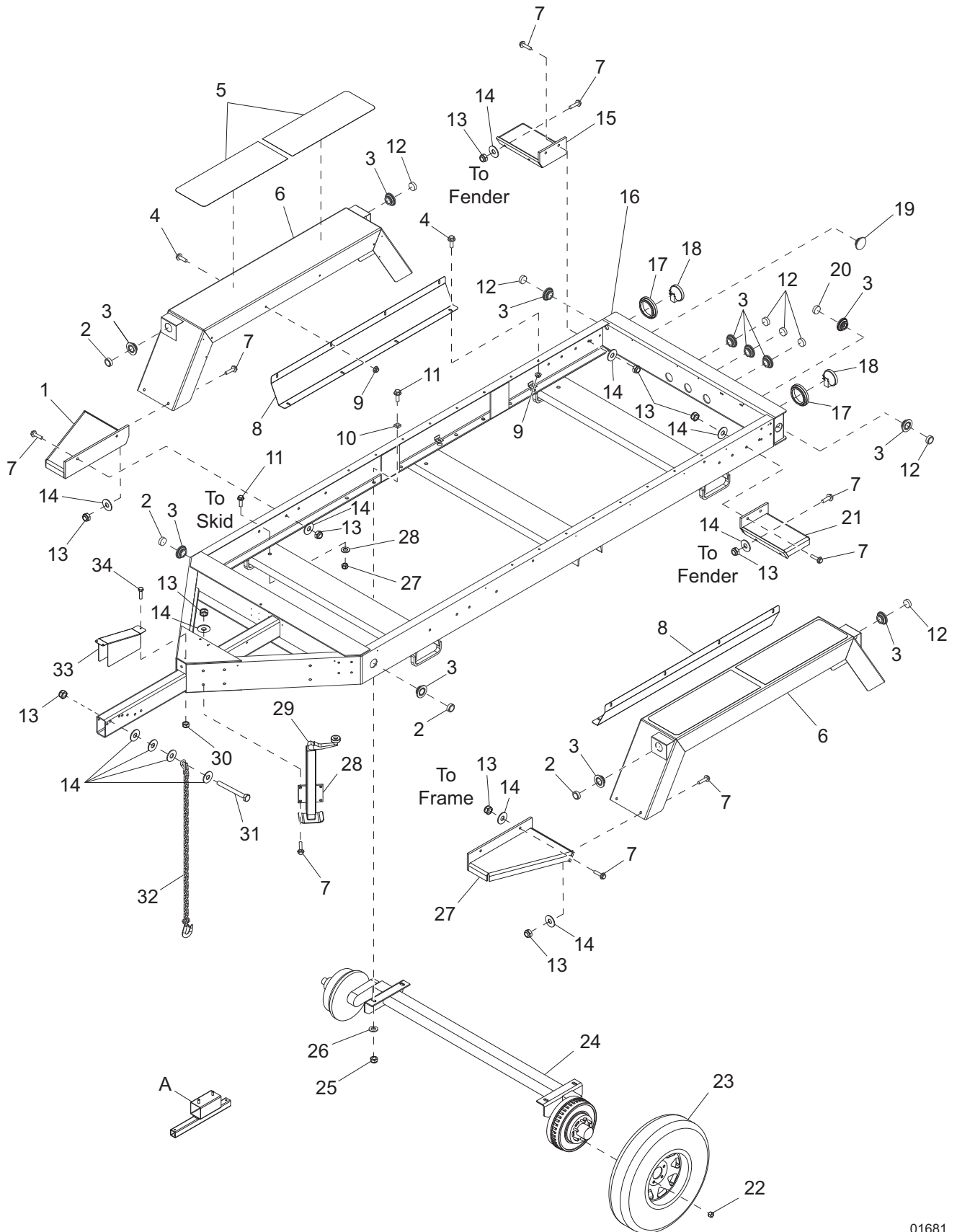
FUEL TANK ASSEMBLY - MMG150DCAN, MMG150DCAN6



FUEL TANK ASSEMBLY - MMG150DCAN, MMG150DCAN6

ITEM	PART NO.	QTY	DESCRIPTION	NOTES
1	63250	4	Clamp, hose - size 16, spring type	
2	50018	2.33 ft	Hose, fuel - .312 ID, 50psi, SAE 30R7	
3	50023	6 ft	Loom, wire - .625	
4	19180	1	Fitting, strt - .375MNPT x .312 barb	
5	26379	1	Vent, plastic fuel - 1.0 in	
6	63254	2	Clamp, hose - size 35, spring type	
7	61091	1	Screw, .312-18 x 1.0 sflg hex, G5	
8	60095	1	Nut, .312-18 sflg	
9	60119	1	Washer, .312 flat .875/.070	
10	60716	1	Clamp, tubing - 1.50 lt duty	
11	50019	4.16 ft	Hose, fuel - 1.0 ID, SAE 20R3	
12	21451	1	Fitting, strt - 1.0MNPT x 1.0 barb	
13	40230	1	Valve, ball - 1.0NPT, female	
14	40276	1	Fitting, pipe nipple - 1.0NPT x close	
15	20571	1	Sender, fuel - 10-15 in. tank	
16	60062	5	Screw, 10-32 x .750 pan phil, G2	
17	60252	5	Washer, #10 split lock	
18	22323	1	Gasket, fuel sending unit	
19	21127	1	Fitting, pipe nipple - 2.0NPT x close	
20	40229	1	Valve, ball - 2.0NPT, female	
21	18394	3	Fitting, plug - .500NPT x internal hex	
22	15693	1	Fitting, 90° - .250NPT x .312 barb, brass	
23	16270	1	Fitting, strt - .375MNPT x .250FNPT	
24	50018	3.58 ft	Hose, fuel - .312 ID, 50psi, SAE 30R7	
25	65636	2	Fitting, plug - 1.0NPT flush mount w/hex soc	
26	23683B	1	Weldment, containment pan - 15.75 in	
27	30052B	1	Tank, fuel - 350 gal, UN31A rated	
--	30175	1	Decal, UN31A tank caution	
--	60507	12	Screw, .312-18 x 1.0 in. std hex, SS	
--	60452	12	Washer, .313 flat 1.125/1.0 bndd rbbr, SS	
--	60505	12	Nut, .312-18 U-clip - long type	

TRAILER ASSEMBLY

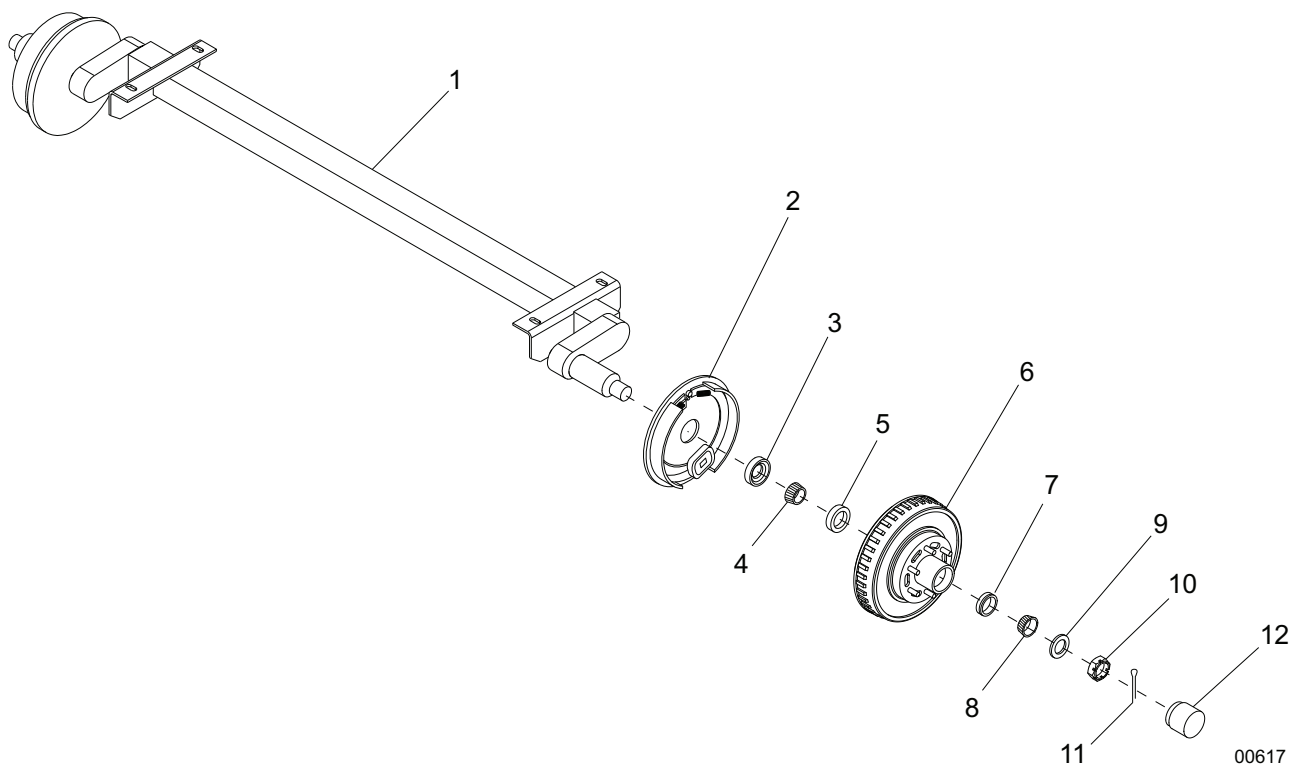


01681

TRAILER ASSEMBLY

ITEM	PART NO.	QTY	DESCRIPTION	NOTES
1	22360B	1	Weldment, front step - right	
2	66702	4	Light, clearance, 2.0 in., amber LED	
3	66394	12	Grommet, rubber - 2.0	
4	61091	16	Screw, .312-18 x 1.0 sflg hex, G5	
5	22398	4	Pad, slip resistant - 10.0 x 28.0	
6	27657B	2	Weldment, fender	
7	61103	20	Screw, .500-13 x 1.75 sflg hex	
8	22351B	2	Shield, fender	
9	60095	16	Nut, .312-18 sflg	
10	60651	8	Washer, .625 square bevel structural	
11	61078	14	Screw, .625-11 x 2.0 flg hex, G8	
12	66703	7	Light, clearance, 2.0 in., no grmt - red LED	
13	62221	22	Nut, .500-13 nylock, G5	
14	60416	28	Washer, .500 flat 1.375/.090	
15	22358B	1	Weldment, rear step - right	
16	27655B	1	Weldment, trailer frame	
17	10221	2	Grommet, rubber - 4.5	
18	66701	2	Light, rear tail/turn, rnd, no grmt - LED	
19	62161	1	Plug, hole - 2.25 dia	
20	66704	1	Light, utility, 2.0 in., no grmt - clear LED	
21	22357B	1	Weldment, rear step - left	
22	60096	24	Nut, .500-20 lug, G5	
23	20374	4	Wheel, ST225/90D16 - 3100 lb	
24	<i>Page 108</i>	2	Assembly, axle	
25	60240	14	Nut, .625-11 nylock, G5	
26	60193	14	Washer, M16 flat	
27	22359B	1	Weldment, front step - left	
28	22317B	1	Weldment, jack	Includes item 31
29	22892	1	Jack, top wind - 5000 lb	
30	60144	1	Nut, .250-20 nylock, G5	
31	61099	2	Screw, .500-13 x 5.0 std hex, G8	
32	20159	2	Chain, trailer safety, hi test - .375 in	
33	22302B	1	Cover, brake guard	
34	60684	3	Screw, .250-20 x .875 std hex, SS	
--	60286	2	Washer, .250 split lock	
--	27451	1	Decal, reflective tape kit - white	
--	27452	27.7 ft	Tape, conspicuity - 2.0 in., red/white	
--	19163	4	Fitting, bushing - .500 OD x .375 ID	
--	22340	2	Fitting, bushing - 1.0 OD x .750 ID	
--	16143	--	Clamp, tubing - .500	For harnesses
--	60237	--	Washer, #10 flat	For harnesses
--	61155	--	Rivet, .188 dia x .438 to .750 grip	For harnesses
--	27671	1	Harness, trailer	
OPTIONAL FEATURES				
<i>Spare Tire:</i>				
A	24345B	1	Weldment, spare tire carrier	
<i>Electric Brake:</i>				
--	65786	1	Harness, electric brake	
<i>Incandescent Light:</i>				
2	66396	4	Light, clearance, 2.0 in., no grmt - amber	
12	66397	7	Light, clearance, 2.0 in., no grmt - red	
18	10220	2	Light, rear tail/turn, round, no grmt	
22	66395	1	Light, utility, 2.0 in., no grmt - clear	

AXLE ASSEMBLY



AXLE ASSEMBLY

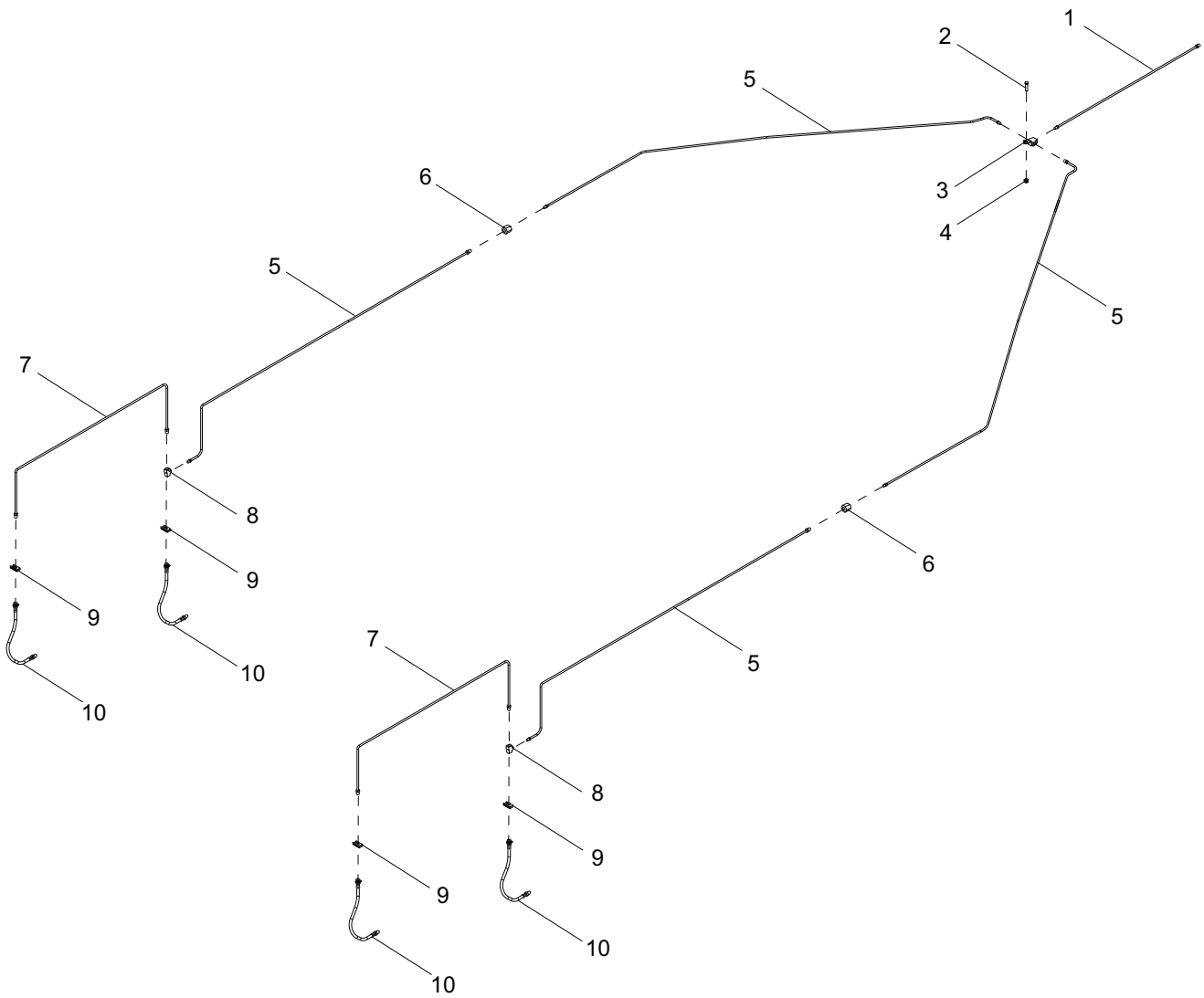
ITEM	PART NO.	QTY	DESCRIPTION	NOTES
1	22145	2	Axle, 6000 lb - 57 in. frame	
2	26571	2	Assembly, surge free-backing brake - lt	
	26572	2	Assembly, surge free-backing brake - rt	
3	26575	4	Inner grease seal - 2.125 in	
4	26576	4	Inner hub bearing	
5	26577	4	Inner bearing cup	
6	22387	4	Drum, brake - 12.0 in	
7	26584	4	Outer bearing cup	
8	26585	4	Outer hub bearing	
9	26581	4	Spindle washer	
10	12308	4	Spindle nut	
11	26583	4	Spindle nut - cotter pin	
12	26586	4	Cap, dust	

OPTIONAL FEATURES

Electric Brake:

--	22146	2	Axle, 6000 lb - 57 in. frame	
--	26573	2	Assembly, electric brake - left	
--	26574	2	Assembly, electric brake - right	

TRAILER BRAKE LINES

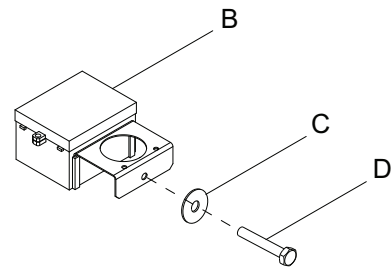
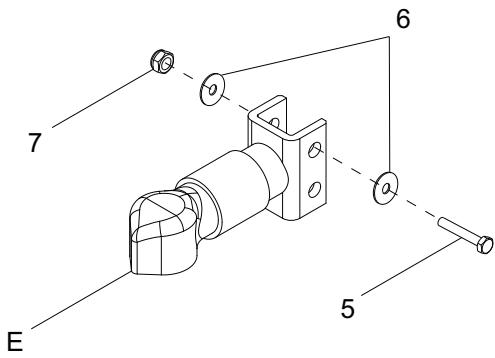
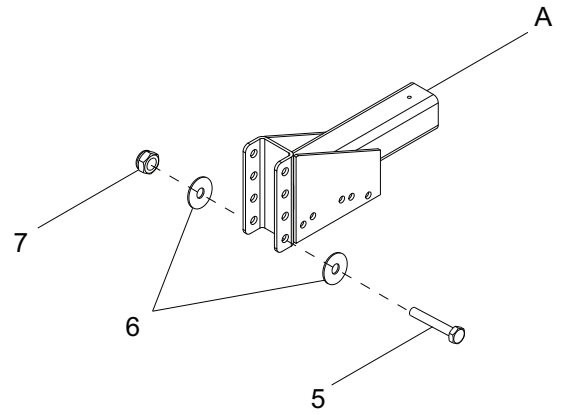
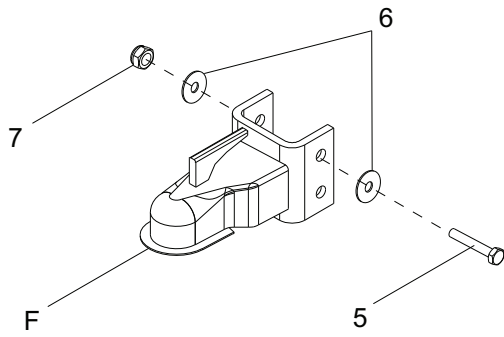
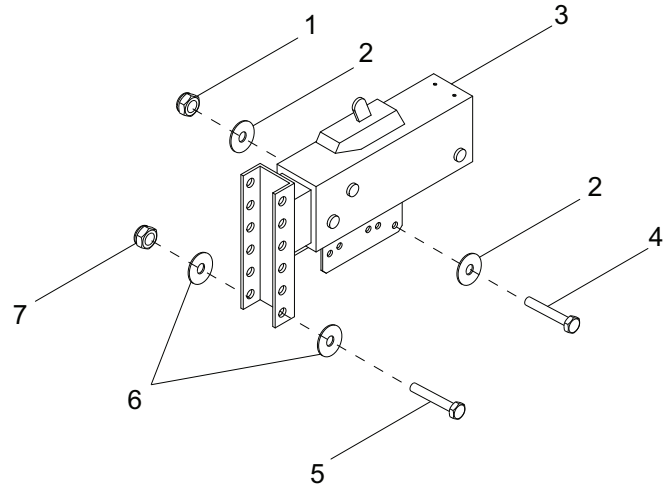
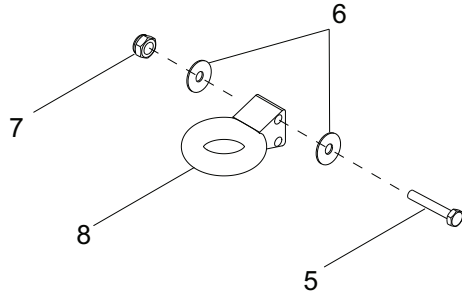


00618

TRAILER BRAKE LINES

ITEM	PART NO.	QTY	DESCRIPTION	NOTES
1	40495	1	Line, brake - .188 x 20.0	
2	60684	1	Screw, .250-20 x .875 std hex, SS	
3	19252	1	Fitting, strt - .188 brake line T w/bracket	All female
4	60144	1	Nut, .250-20 nylock, G5	
5	22338	4	Line, brake - .188 x 60.0	
6	22339	2	Fitting, strt - .188 brake line coupler	
7	40493	2	Line, brake - .188 x 40.0	
8	40498	2	Fitting, strt - .188 brake line T	Male/female/female
9	40499	4	Clip, brake hose	
10	40497	4	Hose, brake - .188 x 20.0	Male/female
--	60231	12	Rivet, .188 dia x .375 to .500 grip	
--	60237	12	Washer, #10 flat .495/.036	
--	61010	12	Clamp, tubing - .375	

TAILER HITCH OPTIONS



01656

TAILER HITCH OPTIONS

ITEM	PART NO.	QTY	DESCRIPTION	NOTES
1	62221	5	Nut, .500-13 nylock, G5	
2	60309	10	Washer, .500 flat 1.060/.090	
3	18373	1	Actuator, trailer	
4	60376	5	Screw, .500-13 x 4.50 std hex, G5	
5	60239	2	Screw, .625-11 x 5.0 std hex, G5	
6	60193	4	Washer, M16 flat	
7	60240	2	Nut, .625-11 nylock, G5	
8	19335B	1	Coupler, lunette ring - 3.0 ID, adjustable	
--	22302B	1	Cover, brake guard	
--	60684	1	Screw, .250-20 x .875 std hex, SS	
--	60144	1	Nut, .250-20 nylock, G5	

OPTIONAL FEATURES

Electric Brake:

A	19763B	1	Weldment, hitch electric - 4 position, adj
B	19417	1	Breakaway kit
C	60193	1	Washer, M16 flat
D	60239	1	Screw, .625-11 x 5.0 std hex, G5
--	65593	1	Adapter, trailer - 4 pin & 2 pin to round 6 pin
--	65583	1	Adapter, trailer - round 6 pin to round 7 spade

Couplers/Adapters:

F	19519	1	Coupler, 2.31 in. ball
E	41795	1	Coupler, 2.31 in. ball - Bulldog 12500lb
--	65463	1	Adapter, trailer - flat 4 to round 6 pin
--	65464	1	Adapter, trailer - flat 4 to round 7 pin
--	10226	12	Plug, 2 wire
--	10222	2	Plug, 3 wire

RECOMMENDED SPARE PARTS LIST

ENGINE

Belt, fan	30252
Cap, radiator	19219
Element, air filter	30561
Element, OVR filter	24552
Fan, engine - MMG150D	26156
Fan, engine - MMG150DCAN, MMG150DCAN6	30626
Filter, oil	22378
Filter, fuel - final	26236
Filter, fuel - primary	26597
Hose, radiator - lower	29710
Hose, radiator - upper	30227
Overflow bottle	20212
Overflow bottle cap	19714

ELECTRICAL

Alternator	22372
Breaker, main	65352
Breaker, 20A/240V, 1-pole	18091
Breaker, 50A/240V, 2-pole	18092
Controller, programmed - MMG150D, MMG150DCAN	66189
Controller, programmed - MMG150DCAN6	67103
Fuse, 15A	65211-15
Lug, Terminal dual	65890
Potentiometer	26229
Receptacle, 120V/20A GFI	14130
Receptacle, 120/240V 50A twist-lock	18089
Regulator, voltage - SE 350	18556
Relay, 12V/70A NC/80A NO w/diode	66455
Sender, fuel	20571
Sensor, low coolant	65592
Starter	22385
Switch, E-stop assembly. - 2 NO/1 NC	22550
Switch, phase - 200A, 3 pos.	18103
Switch, trigger safety - NO & NC	12632

TRAILER

Cap, dust	26586
Jack, top wind	22317B

SERVICE KITS

500 hr maintenance kit	SK191
2000 hr maintenance kit	SK192

This Page Intentionally Left Blank

REV: A
PART NO: 49860
06.15.15